

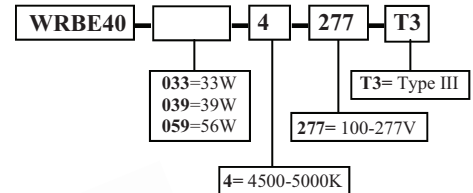
Project Name:	Location:	Date:	Qty:
Fixture Type:	Prepared by:	Comments:	

WRBE40 Series is a 39W to 56W High Power LED E-40 Base Light Replacement Bulb in 4500K as per the D.O.E. recommendation for Outdoor Street Lighting. This bulb can reduce energy consumption by 70%. Meets Me4 Road Way requirements.

This product is made in the USA 



**Product Selection:**



**Specification:**

**Input Voltage:** 100V-277V AC  
**Frequency:** 50-60HZ  
**Working LED Voltage:** DC 24V  
**Power Efficiency:** 95%  
**LED Source:** 1.1 Watt LEDs, CREEs  
**LED Consumption:** < 30.8W, 49.1W  
**Total Power Consumption:** 33W-56W  
**LED Color Index:** (CRI): Ra 85 @ 4500-5000K  
**LED Luminous Efficiency:** > 114 lm/w CREE  
**Working Temperature:** - 30 ° C to 45 ° C  
**Working Humidity:** 10% to 90% RH  
**Light Body & Lampshade Material:** PC and Aluminum Alloy  
**Lamp Base:** E40

**Size:** (Dia.) 90x275 mm  
**Waterproof Grade:** IP61  
**LED Illumination :** 3,431 lm @ 25°C for 39W  
**30% LED Depreciation:** Typical 80,000 \*  
 \*based on 10 hours of usage per day.  
 \*based on CREE Inc recommendations.  
**Power Supply:** UL Pending, Patent Pending  
**Heat Sink:** Custom design, produced in the USA  
**Power Supply:** Patent Pending Design, UL pending  
**Lens:** Custom design to meet the ANSI Type 3 requirements. Patent Pending design.  
**Notes:** Replacing a existing Cobra head dome lens with a Flat Safety glass lens will yield a Type 3 pattern.

**LED Maintained Flux:** (operating condition in enclosed fixture for 39W)

Fixture Size	Operating Temperature	Operating lm
29.5"x14"x8"	89°C Max	2589
35.5"x17.2"x13.7"	74°C Max	2663

**Foot Candles (not in enclosure):**

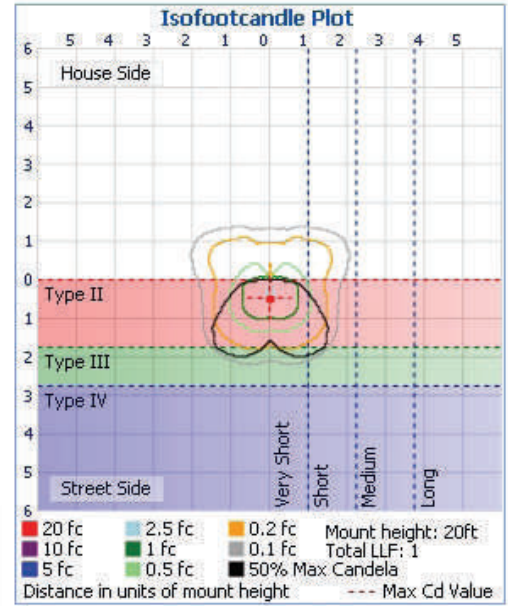
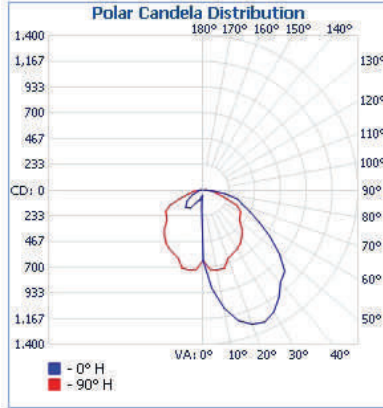
Mounting Height	Foot Candles
9'	9.23 Fc
25'	1.3 Fc

3 year labor and part warranty against manufacturer defect is provided to use under normal operating condition. Proof of purchase must be provided when warranty service is requested. Notice that improper use or unauthorized repair will not be covered by the warranty.

IESNA-LM-63 Information: *For the 39W only*

**Roadway Summary**

Cutoff Classification:	CUTOFF	
Distribution:	TYPE III, VERY SHORT	
Max Cd, 90 Deg Vert:	46.6	
Max Cd, 80 to <90 Deg:	210.9	
	Lumens	% Lamp
Downward Street Side:	1,849.3	59.7%
Downward House Side:	814.3	26.3%
Downward Total:	2,663.5	85.9%
Upward Street Side:	0	0%
Upward House Side:	0	0%
Upward Total:	0	0%
Total Lumens:	2,663.5	85.9%



**Zonal Lumen Summary**

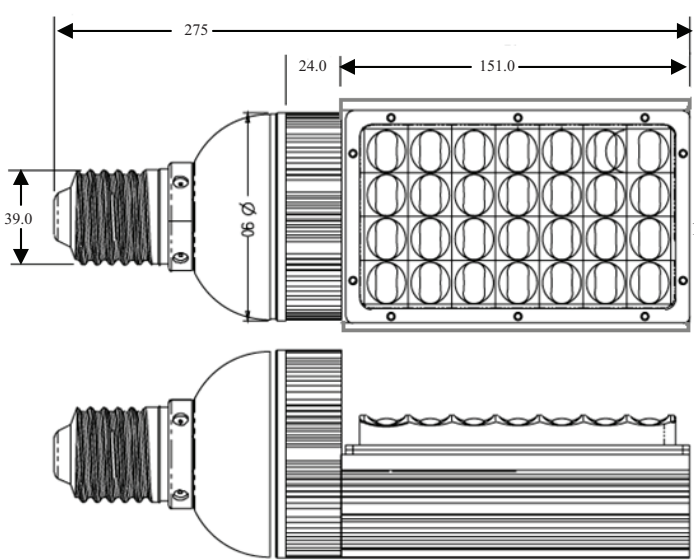
Zone	Lumens	% Lamp	% Luminaire
0-30	530.6	17.1%	19.9%
0-40	946.5	30.5%	35.6%
0-60	1,973.7	63.7%	74.1%
0-90	2,662.2	85.9%	100%
90-180	0	0%	0%
0-180	2,662.2	85.9%	100%
Efficiency Total:	85.9%		

**Illuminance at a Distance**

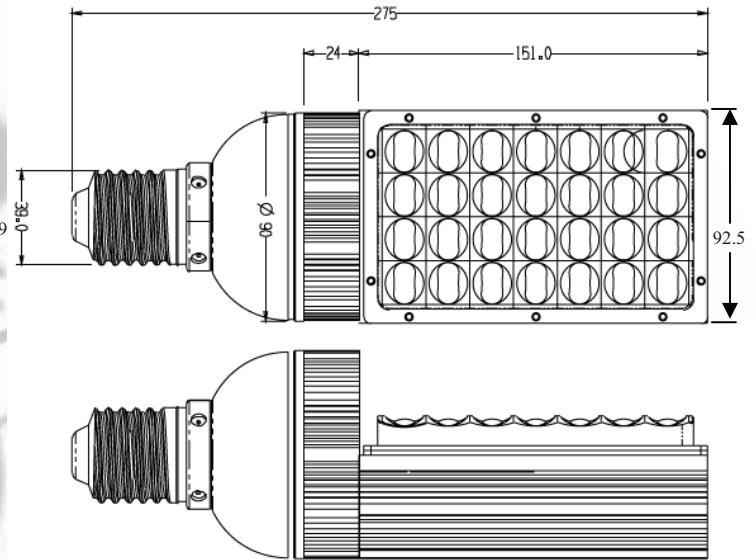
Center Beam FC	Beam Width	
8.3ft	9.23 fc	9.1ft 16.6ft
16.7ft	2.31 fc	18.1ft 33.2ft
25.0ft	1.03 fc	27.2ft 49.8ft
33.3ft	0.58 fc	36.3ft 66.4ft
41.7ft	0.37 fc	45.3ft 83.0ft
50.0ft	0.26 fc	54.4ft 99.6ft

■ Vert. Spread: 57.1° ■ Horiz. Spread: 89.8°

**Physical Dimensions:**



56W E40 Lamp



33W, 39W E40 Lamp

\*All Measurements are in (mm)\*