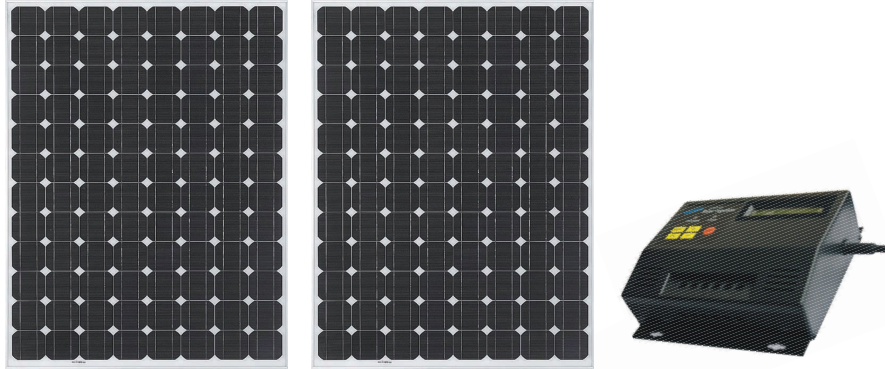


Project Name:	Location:	Date:	Qty:
Fixture Type:	Prepared by:	Comments:	

This series of Solar kits will save electricity costs. We provide solar lighting kits according to your requirements and climate in your area. Please contact us for your solar lighting solution.



Specifications

Light Source: 60W to 240W any source

Input Voltage: 12/24VDC

Constant current PWM technology

THD: $\leq 20\%$

Power Factor (PF): > 0.9

System Power Consumption: 60W to 240W

Waterproof Grade: IP65

Solar panel:

60W = 2 Units of 30W/18V

80W = 2 Units of 40W/18V

100W = 2 Units of 50W/18V

120W = 2 Units of 60W/18V

150W = 2 Units of 75W/18V

160W = 2 Units of 80W/18V

200W = 2 Units of 100W/18V

240W = 2 Units of 120W/18V

Monocrystalline or polycrystalline silicon solar panel

Lifespan of Solar Panel: over 20 years

Requires: (not provided)

-Maintenance free lead-acid battery

-120AH/12V (2) Lamps or (1) Lamp 185AH/12V

Lifespan of Battery: 3-5 years

Reserve time: 4 day capacity

-during continuous rainy days (12hr. Everyday)

Required Sunshine Hours per day: 3

-based on the number of panels

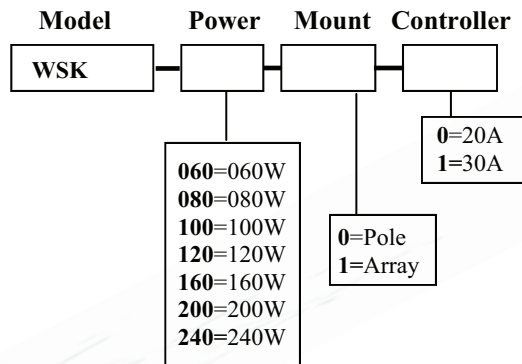
**Note: Sold as components only, no pole or solar mounting brackets included.
You will receive: Solar panels and controller**

Our Solar Kits are made to order with several different levels of Sunlight required to charge the system. We rate the Solar kits in the amount of sunlight per day. The system starts with 5 hours of sunlight required to charge the system. Every location is different in the average amount of sunlight. We can design a system to match your needs. All Solar kits are sold with Solar Panels, and Solar Controller to charge the battery system and control the amount of light output. We do not sell the Lamp Post for Solar kit Systems or the Batteries. Our Solar kits are designed to operate in 4 stages of light output. The system is designed to last for 4 days of operation without sun. A water tight battery box located in the ground next to the Lamp Post to house the batteries for the system is recommended.

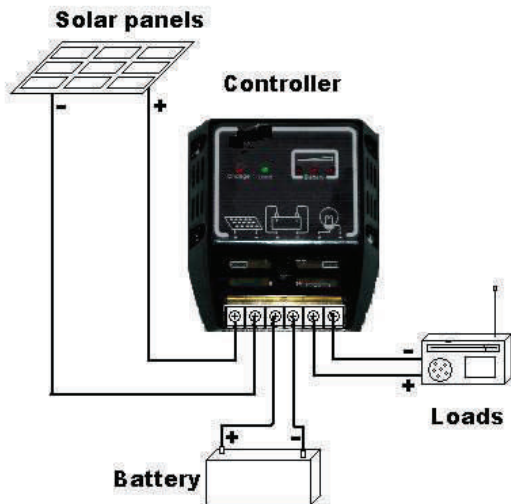
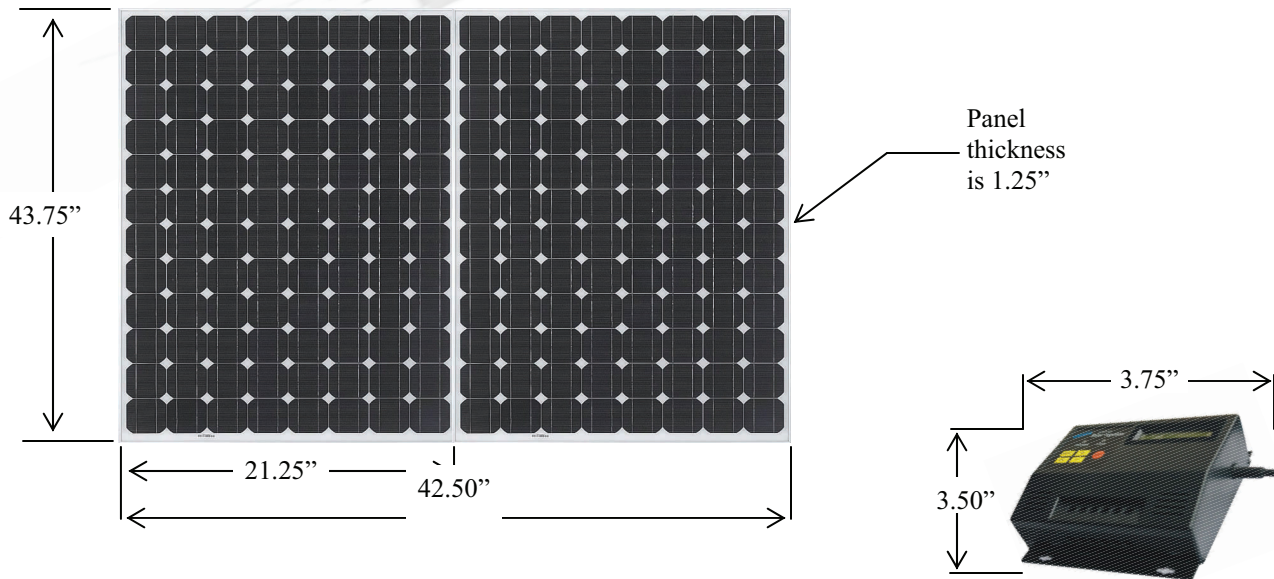
3 Year Labor and Part Warranty against manufacturer defect is provided to use under normal operating condition. Proof of purchase must be provided when warranty service is requested. Notice that improper use or unauthorized repair will not be covered by the warranty. S3J Electronics reserves the

LED WSK Solar Kit Series

Ordering Information



Dimensions



Solar Mounts



Array 400

Enforced Pole 320

Specifications:

Electrical Characteristics	
Maximum power voltage (V)	30.00
Maximum power current (A)	7.66
Open circuit voltage (V)	36.00
Short circuit current (A)	8.28
Cell Efficiency (%)	16.00%
FF (%)	≥74%
Maximum system voltage (V)	1000V
Temperature Range	-40°C to +85°C
Power tolerance (%)	±3%
Standard Test Conditions	1000W/m ² , AM1.5 , 25°C
Mechanical Characteristics	
Solar cell	Poly
Number of cells (Pcs)	60(6*10)
Size of module (mm)	1630*980*46mm
Weight per piece (kg)	19
Front Glass	3.2 mm tempered glass
Surface Maximum Load Capacity	60m/s(200kg/sq.m)
Allowable Hail Load	steel ball fall down from 1m height
Frame	Anodized aluminium alloy
Junction Box Type	IP65 rated
Temperature coefficients	
Nominal Operating Cell Temperature	45±2°C
Temperature coefficients of Voc (%)	β -2.2mV/°C
Temperature coefficients of Pm (%)	γ -0.55%/°C
Temperature coefficients of Im (%)	α 0.03%/°C
Temperature coefficients of Vm (%)	β -2.2mV/°C

Solar System Selection Guide for 20W to 80W LED Lamps

USA Locations with 7 hours of Sun Shine per day

For 12h use per day

LED Lamp Wattage	Solar Panel Required	Battery Required	Controller Required	3-4 Day Reserves
20W	50W x 2 units = 100W	12V/65AH x1 unit	12A	Yes
30W	85W x 2 units = 170W	12V/110AH x1 unit	12A	Yes
40W	100W x 2 units = 200W	12V/130AH x 1 unit	20A	Yes
50W	130W x 2 units = 260W	12V / 90AH x2 units	20A	Yes
60W	160W x 2 units = 320W	12V / 110AH x2 units	30A	Yes
70W	185W x 2 units = 370W	12V / 120AH x2 units	30A	Yes
80W	190W x 2 units = 380W	12V / 130AH x2 units	30A	Yes

USA Locations with 5 hours of Sun Shine per day

For 12h use per day

LED Lamp Wattage	Solar Panel Required	Battery Required	Controller Required	3-4 Day Reserves
20W	90W x 2 units = 180W	12V/110AH x1 unit	20A	Yes
30W	135W x 2 units = 270W	12V/160AH x1 unit	20A	Yes
40W	180W x 2 units = 360W	12V/110AH x2 unit	30A	Yes
50W	185W x 2 units = 370W	12V/135AH x2 unit	30A	Yes
60W	Not Available			
70W	Not Available			
80W	Not Available			