

Project Name:	Location:	Date:	Qty:
Fixture Type:	Prepared by:	Comments:	

This series of Street Lights use Four High Power LED Arrays. They utilize the multi-chip single module design. The Power Factor is 95% and the effective light angle is 150 degree. This light has a 150' spread from a 30' height. This is a type IV distribution.



Specifications

LED Sources: Four High Power LEDs.

LED Efficiency: ≥ 100 lm/W

Input Voltage:

AC(100V ~ 277V) / Frequency (50 ~ 60Hz)

Power Factor (PF): >0.95

LED Luminous Flux: @ 25°C:

200W = 19,200 lm

180W = 17,280 lm

140W = 13,440 lm

120W = 11,520 lm

Efficiency of the Power Supply: $>95\%$

Effective Light Spread: 150' at 30' Height

CRI: Ra85

Net Weight (kg): 14.50 KG

Supply Ratings: 75,000 hours at 80C

Color Temperature: (4500K - 5000K)

Operating Temp.: 120W = 56C @ 25C ambient

LED Lumens Operating Temp.: 200W = 18,640lm

Proprietary LED Encapsulation

Materials: High-purity Aluminum

Vacuum metallic membrane plating reflector

High intensity toughened glass covers

30% LED Depreciation: $>60,000$ hours

IP Rating: IP65

Type IV Distribution

Optional Double Fuse for 347V or 480V

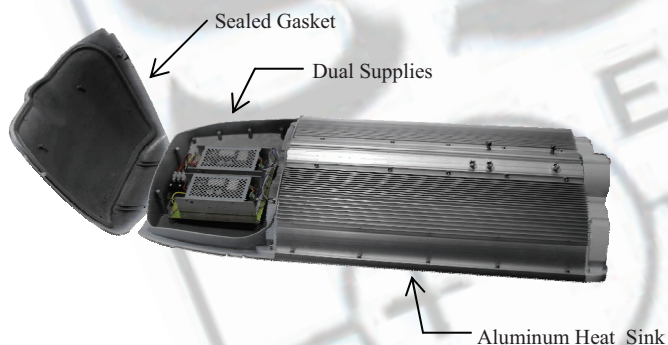
Optional Photo Sensor for 100V-277V or 347V

Lower maintenance costs.

75% energy savings compared to Sodium Lights

No delay start

Eco-friendly: No UV, IR, lead or mercury



4 Year Labor and Part Warranty against manufacturer defect is provided to use under normal operating condition. Proof of purchase must be provided when warranty service is requested. Notice that improper use or unauthorized repair will not be covered by the warranty. S3J Electronics reserves the right to make changes to this document and to the product without notice.

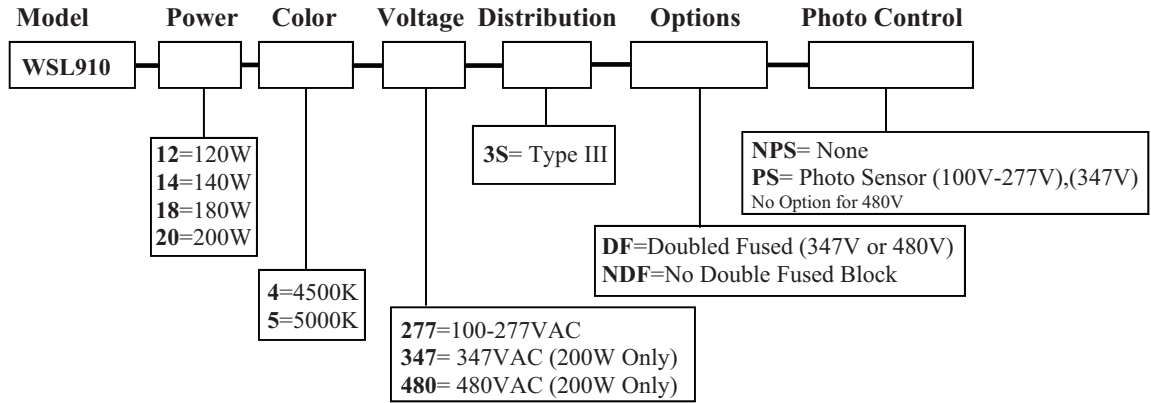
Green Electrical Supply

GreenElectricalSupply.com

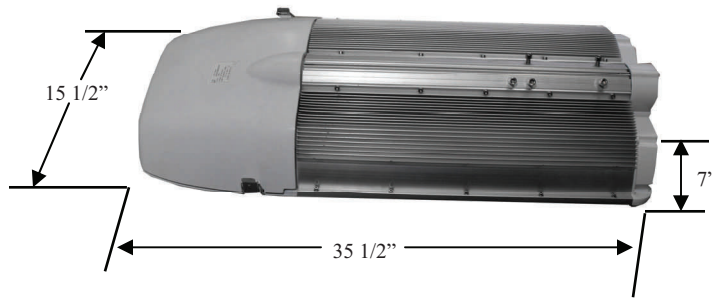
Call 877-652-9640 for quantity discounts and low price guarantee.

LED WSL910 Street Light Series

Ordering Information



Dimensions



Photometric

