



Green Electrical Supply

maximize your green[®]

www.GreenElectricalSupply.com



Site Lighter Pro

Project Information

Job Name

Fixture Type 270 Watt LED Site Lighter Pro

Catalog Number SLP22270LED

Approved by

SLP22270LED 270 Watt LED Site Lighter Pro



SPECIFICATIONS:

	Type III	Type IV	Type V	Combo
Lumens:	27,310	25,890	26,130	26,110
Watts:	273.7	273.7	274.3	274.1
Lumens/Watt:	99.8	94.6	95.3	95.3
CRI:	75.5	75.6	75.5	75.5
CCT:	4366	4391	4364	4375

Alpha Series LED
PROFESSIONAL GRADE

Design is Protected
by US Patent D754,385

Construction:

Designed for commercial and industrial applications, providing cooler operating temperatures, brighter light and longer LED life. The housing is made of 100% aluminum and utilizes external airflow fins to allow for greater heat dissipation. The easy access driver compartment is a thermally independent compartment, separate from LED generated heat, for cooler operation and longer driver life.

Optics:

Atlas Site Lighter Pro fixtures utilize precision engineered individual lenses for maximum light intensity. These lenses are made of optical grade polycarbonate. Types III, IV, V and SLX Combo distributions are available. Types III, IV and SLX Combo optics are rotatable allowing for optimal placement of the fixtures on the perimeter of any layout.

Mounting:

The easy mount bracket makes installation to any style pole quick and easy. Tenon and other mounting accessories also available.

Thermal Management:

Atlas Site Lighter Pro fixtures are designed as a complete system to optimize LED life and light output. The thermal stacking heat removal technology extracts heat from within the housing moving it away from LEDs and components. The lower temperatures result in long LED life (200,000+ hrs) and component life and also allows for higher light output.

Listings:

Luminaire is certified to UL Standards for Wet Locations
Lighting Facts Certified
DesignLights Consortium qualified luminaire, eligible for rebates from DLC member utilities.

AC Input:

120/208/240/277 V

Driver:

Constant current, Class 2, 120-277 VAC, 50-60 Hz
High Efficiency – min. 88%
Off-State Power: 0 Watts
Dimming 0-10V

LEDs:

4500K CCT
Epoxy Guard™ protective conformal coated boards

Reduced Glare:

Positioning of the LED modules within the housing result in light directed to desired locations and reduces offensive light.

Testing:

Atlas LED luminaires have been tested by an independent laboratory in accordance with IESNA LM-79 & LM-80, and have received the Department of Energy "Lighting Facts" label.

Warranty:

Five-year limited warranty

480 Volt:

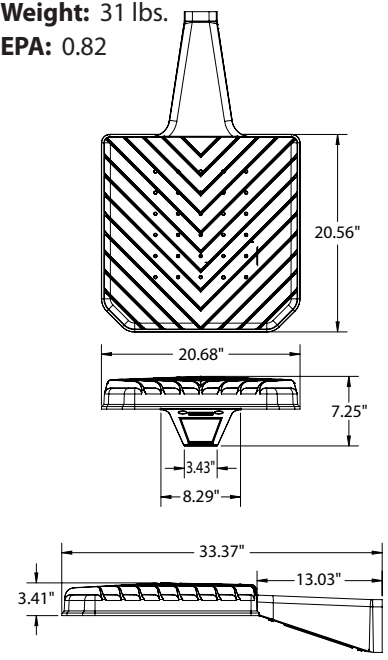
For 480V add suffix 4 to part number.



DIMENSIONS:

Weight: 31 lbs.

EPA: 0.82



¹LED Life Span Based Upon LM-80 Test Results

Rebates and Incentives are available in many areas.
Contact an Atlas Representative for more information.

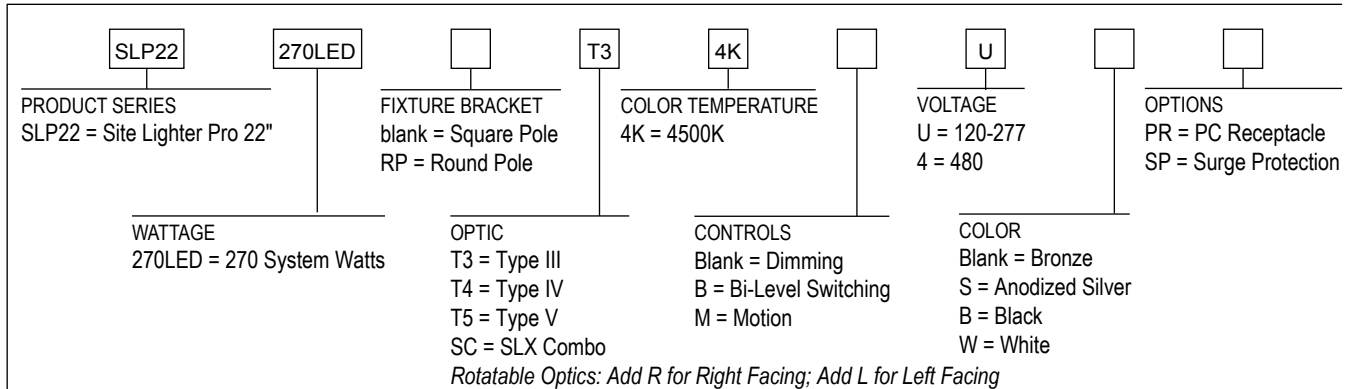
ATLAS LIGHTING PRODUCTS, INC.

PO BOX 2348 | BURLINGTON, NC 27216

800-849-8485 | FAX: 336-227-0110 | www.atlasled.com

Made in the USA of US and imported parts. Meets Buy American requirements within the ARRA.

ORDERING INFORMATION



lighting facts
A Program of the U.S. DOE

Light Output (Lumens)	27310
Watts	273.7
Lumens per Watt (Efficacy)	99.8

Color Accuracy Color Rendering Index (CRI)	75
---	----

Light Color Correlated Color Temperature (CCT)	4366 (Bright White)
---	---------------------

Warm White | Bright White | Daylight
2700K | 3000K | 4500K | 6500K

All results are according to IESNA LM-79-2008: Approved Method for the Electrical and Photometric Testing of Solid-State Lighting. The U.S. Department of Energy (DOE) verifies product test data and results.

Visit www.lightingfacts.com for the Label Reference Guide.

Registration Number: PRB4-5W5VYS (10/1/2015)
Model Number: SLP22270LEDT34KU [Upgrade : 10/1/2015]
Type: Luminaire - Area/Roadway

lighting facts
A Program of the U.S. DOE

Light Output (Lumens)	25890
Watts	273.7
Lumens per Watt (Efficacy)	94.6

Color Accuracy Color Rendering Index (CRI)	75
---	----

Light Color Correlated Color Temperature (CCT)	4391 (Bright White)
---	---------------------

Warm White | Bright White | Daylight
2700K | 3000K | 4500K | 6500K

All results are according to IESNA LM-79-2008: Approved Method for the Electrical and Photometric Testing of Solid-State Lighting. The U.S. Department of Energy (DOE) verifies product test data and results.

Visit www.lightingfacts.com for the Label Reference Guide.

Registration Number: PRB4-HUTVAM (10/1/2015)
Model Number: SLP22270LEDT4KU [Upgrade : 10/1/2015]
Type: Luminaire - Area/Roadway

lighting facts
A Program of the U.S. DOE

Light Output (Lumens)	26130
Watts	274.3
Lumens per Watt (Efficacy)	95.3

Color Accuracy Color Rendering Index (CRI)	75
---	----

Light Color Correlated Color Temperature (CCT)	4364 (Bright White)
---	---------------------

Warm White | Bright White | Daylight
2700K | 3000K | 4500K | 6500K

All results are according to IESNA LM-79-2008: Approved Method for the Electrical and Photometric Testing of Solid-State Lighting. The U.S. Department of Energy (DOE) verifies product test data and results.

Visit www.lightingfacts.com for the Label Reference Guide.

Registration Number: PRB4-34QJMA (10/1/2015)
Model Number: SLP22270LEDT54KU [Upgrade : 10/1/2015]
Type: Luminaire - Area/Roadway

lighting facts
A Program of the U.S. DOE

Light Output (Lumens)	26110
Watts	274.1
Lumens per Watt (Efficacy)	95.3

Color Accuracy Color Rendering Index (CRI)	75
---	----

Light Color Correlated Color Temperature (CCT)	4375 (Bright White)
---	---------------------

Warm White | Bright White | Daylight
2700K | 3000K | 4500K | 6500K

All results are according to IESNA LM-79-2008: Approved Method for the Electrical and Photometric Testing of Solid-State Lighting. The U.S. Department of Energy (DOE) verifies product test data and results.

Visit www.lightingfacts.com for the Label Reference Guide.

Registration Number: PRB4-T6FTFJ (12/18/2015)
Model Number: SLP22270LEDSC4KU
Type: Luminaire - Area/Roadway