



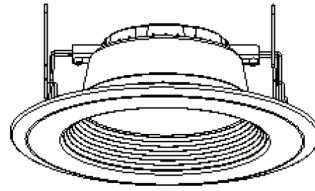
Green Electrical Supply

maximize your green[®]

www.GreenElectricalSupply.com

INSTALLATION INSTRUCTIONS

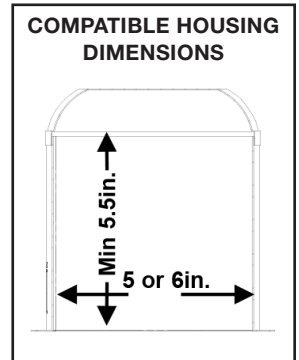
LED-DK6-11W9XX-DIM-G7
LED-DK6-15W9XX-DIM-G7
LED Downlight Kit



SAFETY PRECAUTION:

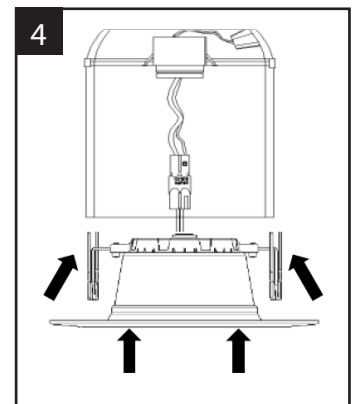
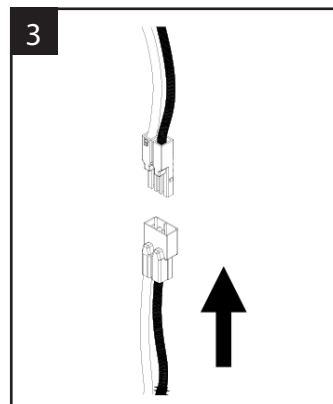
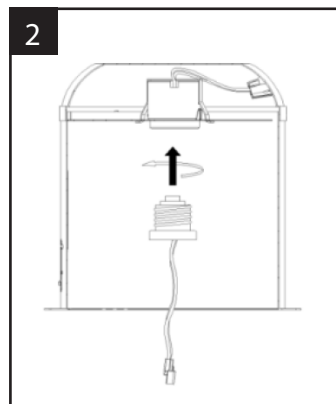
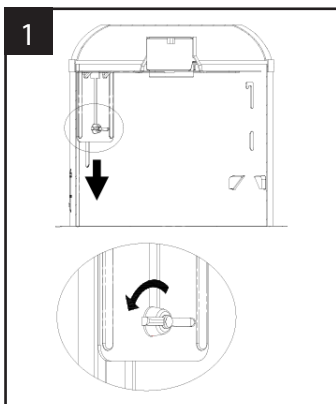
PLEASE READ CAREFULLY AND SAVE THESE INSTRUCTIONS AS YOU MAY NEED THEM AT A LATER DATE.

- All electrical connections must be in accordance with local and National Electrical Code (N.E.C.) standards. If you are unfamiliar with proper electrical wiring connections obtain the services of a qualified electrician.
- This retrofit assembly is accepted as a component of a LED luminaire where the suitability of the combination shall be determined by CSA or Canadian authorities having jurisdiction.
- **THIS DEVICE IS NOT INTENDED FOR USE WITH EMERGENCY EXITS.**
- **WARNING - RISK OF ELECTRIC SHOCK** - Disconnect main power at fuse or circuit breaker before installing or servicing the fixture.
- **WARNING: RISK OF FIRE OR ELECTRIC SHOCK** - LED Retrofit Kit installation requires knowledge of luminaires electrical systems. If not qualified, do not attempt installation. Contact a qualified electrician.
- **WARNING: RISK OF FIRE OR ELECTRIC SHOCK** - Install this kit only in luminaires that have the construction features and dimensions shown in the photographs and/or drawings and where the input rating of the retrofit kit does not exceed the input rating of the luminaire.
- **WARNING: RISK OF FIRE OR ELECTRIC SHOCK** - Do not make or alter any open holes in an enclosure of wiring or electrical components during kit installation.
- **WARNING: RISK OF FIRE OR ELECTRIC SHOCK** - To prevent wiring damage or abrasion, do not expose wiring to edges of sheet metal or other sharp objects.



INSTALLATION:

1. Unscrew the WING NUT inside the CAN to detach the SOCKET BRACKET from the CAN. Disengage the SOCKET from the SOCKET BRACKET. (FIG. 1)
2. Thread the SOCKET ADAPTER into the SOCKET. (FIG. 2)
3. Plug the FEMALE CONNECTOR of the RETROFIT KIT onto the MALE CONNECTOR of the SOCKET ADAPTER ASSEMBLY. (FIG. 3)
4. Squeeze both FRICTION BLADES arms together and insert into the CAN. (FIG. 4)
5. Tuck all wires into the CAN and carefully push the RETROFIT KIT into CAN. (NOTE: To provide enough room in shallow cans, carefully position SOCKET ADAPTER and SOCKET adjacent to the side of the LED DRIVER prior to inserting the RETROFIT KIT into the CAN.) (FIG. 2 & 4)



DIMMING:

Dimming performance may depend on the dimmer, the dimmer range adjustment setting (for dimmers with brightness range adjustments), the wiring method, and/or the number of LED modules installed onto the dimmer circuit.

- For dimmer selection, it is recommended to use one of the following dimmers:
 - Leviton - 6674, IPL06, DSL06-1LZ, 6672-1LW
 - Lutron - TGCL-153PH, MACL-153M, CTCL-153P, PD-6WCL
- For best results, it is recommended to install a minimum of four LED modules onto one dimmer.
- Before turning on the LED lights, set dimmer position at maximum before adjusting to a lower light level.
- Please follow the dimming control manufacturer's instructions for the installation of all dimming controls.

This device complies with part 15 of the FCC Rules. Operation is subject to the following two conditions:

- 1. This device may not cause harmful interference, and*
- 2. This device must accept any interference received, including interference that may cause undesired operation.*

NOTE: This equipment has been tested and pursuant to Part 15 of the FCC Rules. These limits are designed to provide reasonable protection against harmful interference in a residential installation. This equipment generates, uses and can radiate radio frequency energy and, if not installed and used in accordance with the instructions, may cause harmful interference to radio communications. However, there is no guarantee that interference will not occur in a particular installation. If this equipment does cause harmful interference to radio or television reception, which can be determined by turning the equipment off and on, the user is encouraged to try to correct the interference by one or more of the following measures:

- *Reorient or relocate the receiver antenna.*
- *Increase the separation between the equipment and receiver.*
- *Install the product onto on a circuit different from that to which the receiver is connected.*
- *Consult with the dealer or an experienced radio/TV technician for help.*

CAUTION: Any changes made to the electronics circuit will void this equipment's compliance with Part 15 of the FCC Rules and should not be operated.

EiKO Global, LLC • 23220 W. 84th St, Shawnee, KS 66227 • (P) 1-800-852-2217 • (F) 1-800-492-8975 • eiko.com
EiKO Canada • 81 King St, Barrie, Ontario L4N 6B5 • (P) 1-705-721-5189 • (F) 1-705-721-7855 • orderdesk@eiko.com