



Green Electrical Supply[®]

maximize your green[®]

GreenElectricalSupply.com



LED HID REPLACEMENT : HIGHBAY/LOWBAY

DESCRIPTION

LED HID Replacement Lamps directly replace high-watt HID fixtures at a fraction of the energy cost.

FEATURES

- Cost-effective solution for highbay and lowbay applications, replacing 400W HID fixtures
- 135 lpw ultra-high efficiency delivers superior performance over legacy HID
- Lasts 3x longer than metal halide or HPS
- Ballast bypass; connects to line voltage
- Up to 80% energy savings
- Solid state; no fans or moving parts
- Instant-on with no warmup
- Surge Suppression: 6kV
- Suitable for use in enclosed fixtures

WARRANTY

- 5 year limited warranty; see eiko.com for warranty details

APPLICATIONS

- Warehouses
- Manufacturing Plants
- Distribution Centers
- Grocery Stores
- Gymnasiums
- Indoor Recreational Facilities
- Cold Storage
- Big Box Retail
- Service Repair Centers



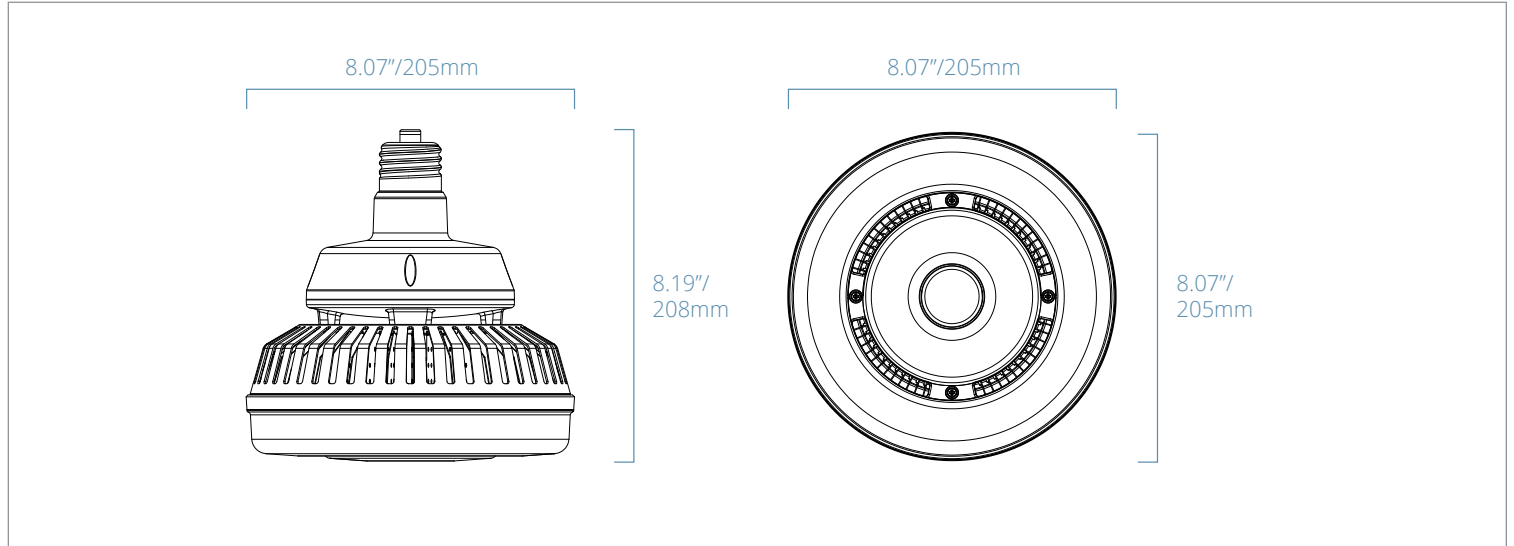
| | | |
|---------------------|-----------------------|---|
| PERFORMANCE | Power Consumption | 115W |
| | Lumens | 14,950/15,525 |
| | Efficacy (LPW) | 130/135 |
| | CRI | 80+ |
| | CCT | 3000K, 4000K, 5000K |
| | Life (L70) | 50,000 hours |
| ELECTRICAL | Power Factor | ≥0.9 |
| | THD | <20% |
| | Input Voltage | 120-277V |
| CONSTRUCTION | Operating Temperature | -40°F to 140°F (-40°C to 60°C) |
| | Base | EX39 |
| LISTINGS | Certification(s) | DesignLights Consortium® Qualified; cULus Listed; FCC |
| | Material Usage | |
| | Environment | UL Dry/Damp location rated |

PERFORMANCE SUMMARY

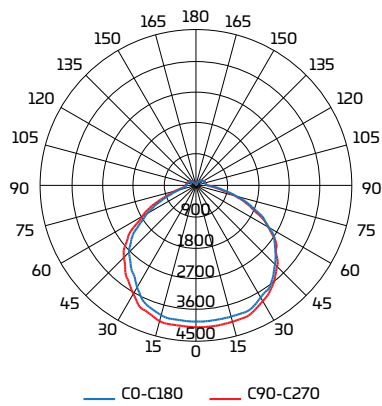
| Order Code | Item # | Lumens | Watts | CCT | CRI | Volts | Base | Life/Hours | Replaces HID | DLC |
|------------|-------------------|--------|-------|-------|-----|----------|------|------------|--------------|-----|
| 09698 | LED115WB40KMOG-G7 | 14,950 | 115W | 4000K | 80+ | 120-277V | EX39 | 50K | 400W | ✓ |
| 09699 | LED115WB50KMOG-G7 | 15,525 | 115W | 5000K | 80+ | 120-277V | EX39 | 50K | 400W | ✓ |

NOTE: Use order code when ordering. ✓DesignLights Consortium® Qualified

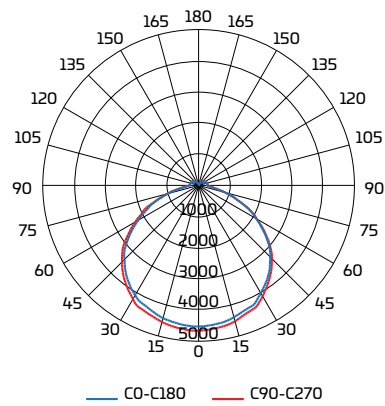
DIMENSIONS



PHOTOMETRICS



4000K



5000K