



# Green Electrical Supply

maximize your green<sup>®</sup>

[www.GreenElectricalSupply.com](http://www.GreenElectricalSupply.com)

# ProLED® ECO 6" Downlight Installation Instructions Gen II



## IMPORTANT

READ INSTRUCTIONS CAREFULLY BEFORE INSTALLING. KEEP THESE INSTRUCTIONS FOR FUTURE REFERENCE.

ProLED luminaires must be wired in accordance with the National Electrical Code and all applicable local codes. Proper grounding is required for safety. THIS PRODUCT MUST BE INSTALLED IN ACCORDANCE WITH THE APPLICABLE INSTALLATION CODE BY A QUALIFIED ELECTRICIAN WHO IS FAMILIAR WITH THE CONSTRUCTION AND OPERATION OF THE PRODUCT AND THE HAZARDS INVOLVED.

**WARNING** - Risk of fire or electric shock. ProLED ECO Downlight Series installation requires knowledge of the luminaire's electrical systems. If not qualified, DO NOT attempt installation. Contact a qualified electrician.

**WARNING** - Install this kit only in the luminaires that have the construction features and dimensions shown in the photographs and/or drawings. DO NOT make or alter any open holes in an enclosure of wiring or electrical components during kit installation.

**WARNING** - To prevent wiring damage or abrasion, DO NOT expose wiring to edges of sheet metal or other sharp objects.

**WARNING** - DO NOT alter, relocate, or remove wiring, lamp holders, power supply, or any other electrical component.

**WARNING** - This device is not intended for use with emergency exits.

**DANGER** - RISK OF SHOCK-DISCONNECT POWER BEFORE INSTALLATION

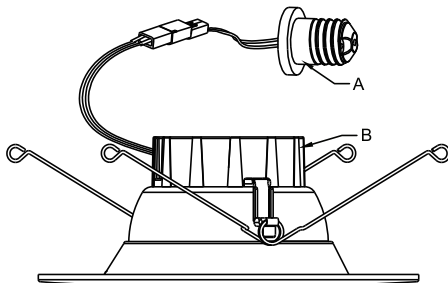
**CAUTION:** To avoid possible electrical shock, be sure that power supply is turned off at fuse box or circuit breaker before installing or servicing luminaire. For your safety, read and understand instructions completely before beginning installation.

## WARRANTY INFORMATION:

This product is warranted for 5 years from the date of purchase. If this product does not perform to the specifications supplied on this package, send an email or write to the address below for product return and replacement. This replacement is the sole remedy available. Liability for incidental or consequential damage is expressly excluded. Visit [www.halcolighting.com](http://www.halcolighting.com) for full warranty details and dimmer compatibility information.

## Packaging Contents

Before beginning installation on this product, make sure all parts are present. Compare parts with package contents list and diagram as below. If any part is missing or damaged, do not attempt to assemble, install or operate this product.



### Components Included

- A. Medium Base Adapter
- B. Retrofit Assembly

FIG. 1A

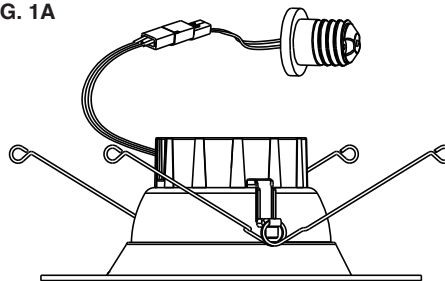
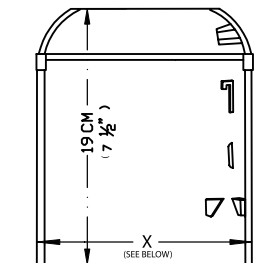


FIG. 1B Diagram of recessed luminaire



- 6" Recessed housing X=155mm (6 1/4")
- 5" Recessed housing X=135mm (5 3/8")

## INSTALLATION INSTRUCTIONS:

1. Turn OFF power at switch and fuse box or circuit breaker.
2. Remove existing trim installed in recessed housing (if necessary).
3. If applicable, slide lamp holder bracket to its upward maximum position. If the lamp holder bracket is less than 4.5 inches from the bottom edge of the fixture enclosure, the lamp holder bracket must be removed.
4. If necessary, remove the lamp holder mounting bracket (see FIG.2) and the lamp holder from the bracket (see FIG.2), then attach the provided label to the existing luminaire.
5. Install adapter into socket (see FIG. 3).

FIG. 2

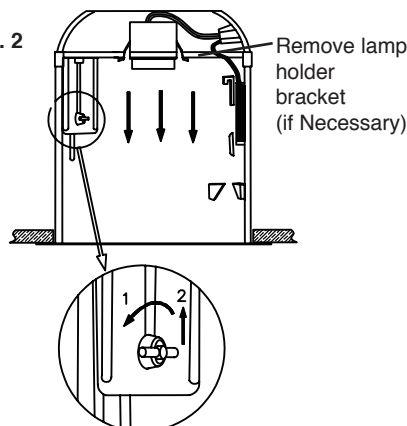
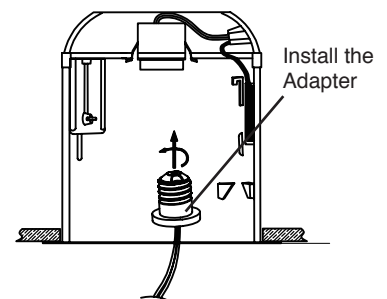
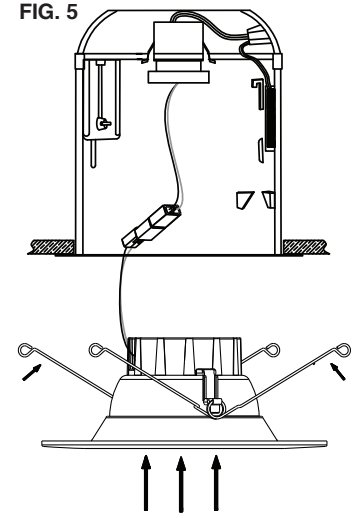
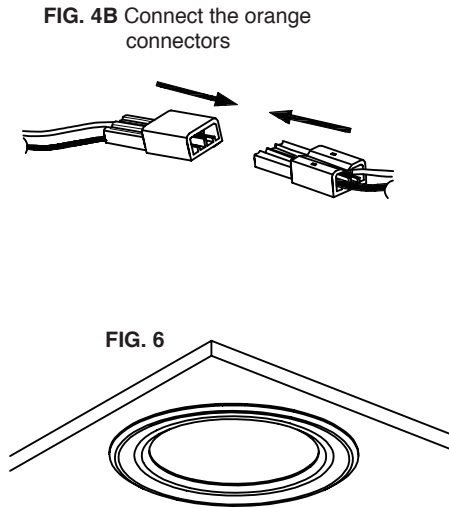
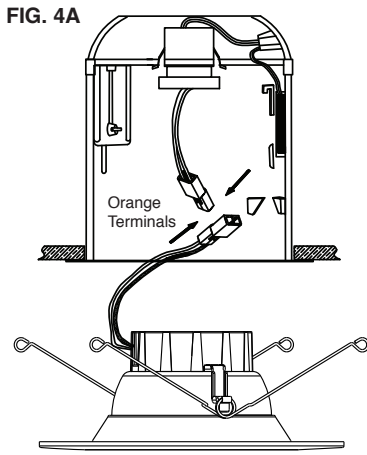


FIG. 3



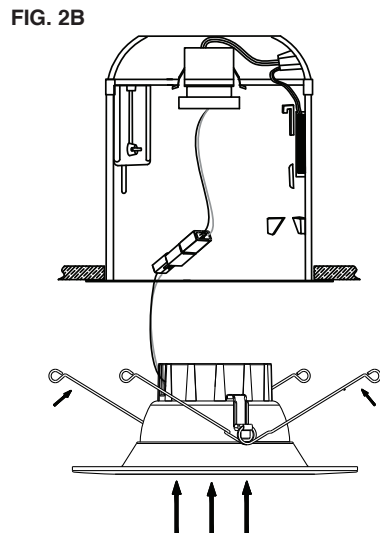
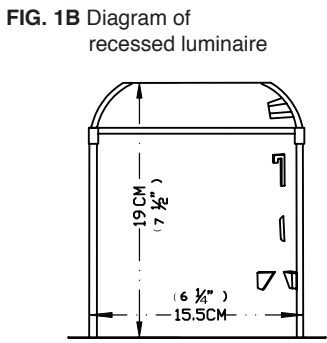
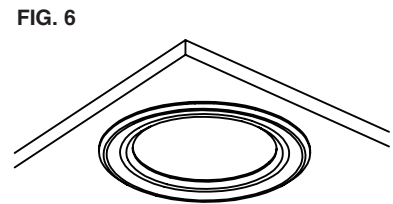
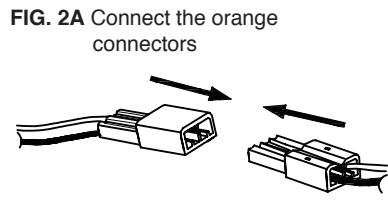
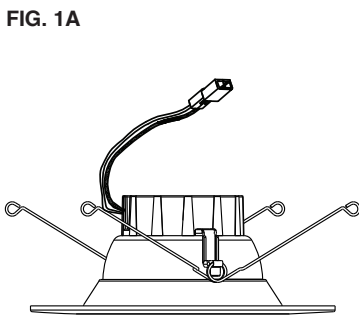
**INSTALLATION INSTRUCTIONS Continued:**

6. Connect the Orange connectors together (see FIG. 4B).
7. Insert torsion springs into luminaire housing brackets (see FIG 5).
8. Gently push up trim and torsion springs so they begin to expand and lift trim in place (see FIG. 6).



**INSTALLATION into Existing Recessed LED Luminaire with Compatible orange connectors:**

1. Turn OFF Power at switch and fuse box or circuit breaker
2. Remove existing trim installed in recessed housing (if necessary).
3. Discard medium base adapter.
4. Connect the orange connectors together (see FIG. 2A).
5. Insert torsion springs into fixture brackets (see FIG. 2B).
6. Gently push up trim and torsion springs so they begin to expand and lift trim in place (see FIG. 3).



**Min. Lamp Compartment Dimensions**  
135mm (5 3/8 in) DIA X 190mm (7 1/2 in) HEIGHT When used in 5 inch recessed Luminaire

**Min. Lamp Compartment Dimensions**  
154mm (6 in) DIA X 188mm (7 1/2 in) HEIGHT When used in 6 inch recessed Luminaire

**THE RETROFIT KIT IS ACCEPTED AS A COMPONENT OF LUMINAIRE WHERE THE SUITABILITY OF THE COMBINATION SHALL BE DETERMINED BY UL OR AUTHORITIES HAVING JURISDICTION.**