

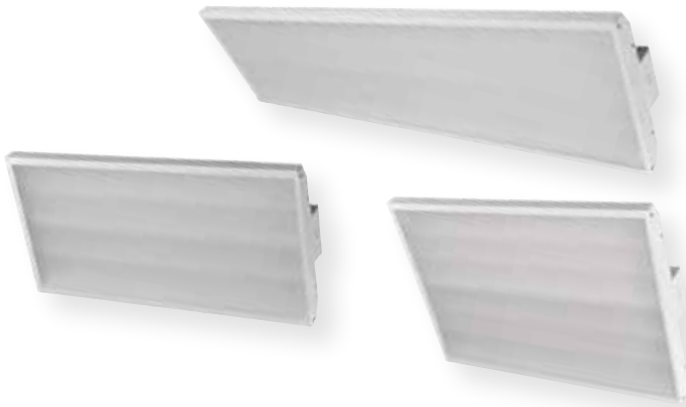


Green Electrical Supply

maximize your green[®]

www.GreenElectricalSupply.com

Linear LED High Bay Series



ProLED® Linear LED High Bay Series is a long life and energy efficient replacement for existing linear fluorescent or HID installations. Ideal for high mounting heights, the ProLED Linear LED High Bays deliver instant-on capabilities, uniform illumination, and reduced maintenance costs. Wiring and control options and accessories are available to help reduce installation times and save energy. Applications include; retail, distribution centers, industrial facilities, gymnasiums, warehouses, and grocery stores. ProLED® Linear LED High Bay Series is backed by a 5-year warranty.

Performance Specifications

CRI _____	80
Rated Life _____	110,000 hours
Watts _____	111W, 161W and 221W
Lumens _____	15,140/21,944/30,122
Lumens per Watt (LPW) _____	>130
Input Line Voltage _____	120-277V
Input Line Frequency _____	60 Hz

Min. Start Temp. _____	-40°C (-40°F)
Max. Operating Temp. _____	55°C (131°F)
Power Factor _____	>95%
Warranty _____	5-Year Limited
Control _____	Dimming (0-10V DC)
Weight _____	16/20/26 lb

Energy Savings

Standard High Bay HID	System Watts	Replacement LED	Energy Savings
400W	458W	221W	51%

Construction

- Durable steel housing finished in a polyester powder coating
- UL listed for damp locations

Installation

- 5000K color temperature
- Dimming (0-10V DC)
- Instant on
- 110,000 hour rated life
- 6' or 12' NEMA twist lock cord assembly (optional)
- Motion Sensor (optional)
- Emergency Battery (optional)

Ordering Information



	Watt ^s	Product #	Product Code	Volts ¹	Color Temp.	CRI	Lumens	Useful Life [*]	Pkg. Qty.	Height, Width, Length	Dimmable	DLC [®] Product ID	
⊕	111	99649	LHB1/111/850/UNV/LED2	120-277V	5000K	80	15,140	110,00	1/1	3" x 13" x 24"	Yes (0-10V)	PL3BF1G73REC	
⊕	161	99650	LHB2/161/850/UNV/LED2	120-277V	5000K	80	21,944	110,00	1/1	3" x 17" x 24"	Yes (0-10V)	PLSGT4CIBQG5	
⊕	221	99651	LHB3/221/850/UNV/LED2	120-277V	5000K	80	30,122	110,00	1/1	3" x 17" x 48"	Yes (0-10V)	PLVP3TJYQJSV	
⊕		99652	LHB/PMA Pendant Mounting Assembly							1/24			
⊕		81981	VPL/EM/LED3 16W Emergency Battery		120-277V				1/1				

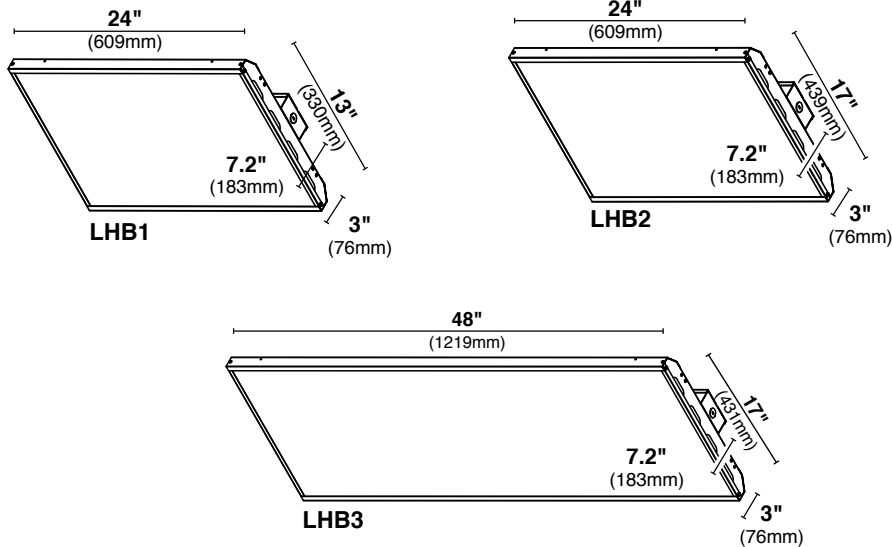
Ordering information.

⊕ NEW ITEM

^{*} Useful Life is defined as the point in time at which the lamp will maintain at least 70% of its initial lumens. The lamp will continue to burn past this point, but at decreased light levels.

Warranty Commercial/Industrial: This product is warranted for 5 years from the date purchase.

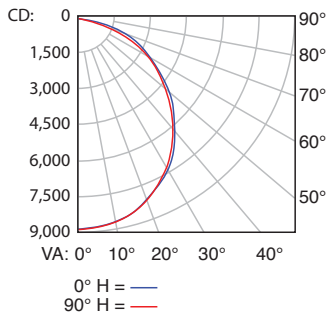
May not be compatible with all dimmable systems, dimming performance may vary by system, please check the website www.halcolighting.com for up-to-date dimmer compatibility information. Use on incompatible systems may shorten lamp life.



Ambient Temp.	Rated Life
77°F(25°C)	110,000 Hours
86°F(30°C)	100,000 Hours
95°F(35°C)	90,000 Hours
104°F(40°C)	80,000 Hours
113°F(45°C)	70,000 Hours
122°F(50°C)	60,000 Hours
131°F(55°C)	50,000 Hours

Photometrics

99649, LHB1/111/850/UNV/LED2



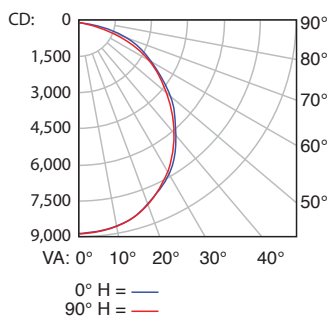
LUMENS PER ZONE

ZONE	LUMENS	% TOTAL	ZONE	LUMENS	% TOTAL
0-10	565.7	3.7%	90-100	5.2	0%
10-20	1,601.2	10.6%	100-110	4.1	0%
20-30	2,367.1	15.6%	110-120	5.7	0%
30-40	2,746.0	18.1%	120-130	7.6	0%
40-50	2,711.4	17.9%	130-140	8.3	0.1%
50-60	2,321.1	15.3%	140-150	8.0	0.1%
60-70	1,674.7	11.0%	150-160	6.1	0%
70-80	897.2	5.9%	160-170	3.6	0%
80-90	226.1	1.5%	170-180	1.2	0%

ZONAL LUMEN SUMMARY

ZONE	LUMENS	% LAMP	% LUMINAIRE
0-30	4,534.0	29.9%	29.9%
0-40	7,280.1	48%	48%
0-60	12,312.6	81.2%	81.2%
60-90	2,798.0	18.5%	18.5%
70-100	1,128.5	7.4%	7.4%
90-120	15.1	0.1%	0.1%
0-90	15,110.6	99.7%	99.7%
90-180	49.8	0.3%	0.3%
0-180	15,160.4	100%	100%

99650, LHB2/161/850/UNV/LED2



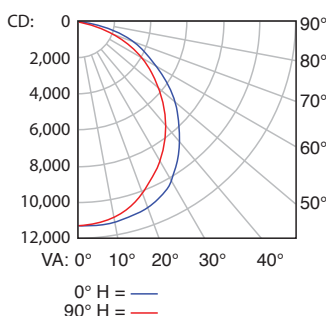
LUMENS PER ZONE

ZONE	LUMENS	% TOTAL	ZONE	LUMENS	% TOTAL
0-10	842.3	3.7%	90-100	8.0	0%
10-20	2,385.6	10.5%	100-110	5.6	0%
20-30	3,530.3	15.6%	110-120	8.1	0%
30-40	4,102.4	18.1%	120-130	10.2	0%
40-50	4,059.3	17.9%	130-140	11.0	0%
50-60	3,483.4	15.4%	140-150	10.6	0%
60-70	2,519.1	11.1%	150-160	7.9	0%
70-80	1,351.3	6.0%	160-170	4.7	0%
80-90	338.9	1.5%	170-180	1.6	0%

ZONAL LUMEN SUMMARY

ZONE	LUMENS	% LAMP	% LUMINAIRE
0-30	6,758.2	29.8%	29.8%
0-40	10,860.6	47.9%	47.9%
0-60	18,403.4	81.2%	81.1%
60-90	4,209.3	18.6%	18.6%
70-100	1,698.2	7.5%	7.5%
90-120	21.7	0.1%	0.1%
0-90	22,612.7	99.7%	99.7%
90-180	67.8	0.3%	0.3%
0-180	22,680.5	100%	100%

99651, LHB3/221/850/UNV/LED2



LUMENS PER ZONE

ZONE	LUMENS	% TOTAL	ZONE	LUMENS	% TOTAL
0-10	1,066.6	3.5%	90-100	9.9	0%
10-20	3,044.8	10.1%	100-110	5.5	0%
20-30	4,575.7	15.2%	110-120	7.4	0%
30-40	5,416.4	18.0%	120-130	8.2	0%
40-50	5,447.6	18.1%	130-140	9.3	0%
50-60	4,721.7	15.7%	140-150	9.3	0%
60-70	3,435.0	11.4%	150-160	6.9	0%
70-80	1,857.5	6.2%	160-170	4.5	0%
80-90	476.3	1.6%	170-180	1.7	0%

ZONAL LUMEN SUMMARY

ZONE	LUMENS	% LAMP	% LUMINAIRE
0-30	8,687.1	28.9%	28.9%
0-40	14,103.5	46.9%	46.8%
0-60	24,272.8	80.7%	80.6%
60-90	5,768.8	19.2%	19.2%
70-100	2,343.6	7.8%	7.8%
90-120	22.7	0.1%	0.1%
0-90	30,041.5	99.8%	99.8%
90-180	62.8	0.2%	0.2%
0-180	30,104.3	100%	100%