



Green Electrical Supply

maximize your green[®]

www.GreenElectricalSupply.com



Project: _____

Fixture Type: _____

Location: _____

Contact/Phone: _____

MINI LED DOWNLIGHT

OUTDOOR/WET LOCATION

MD1LG2 (RD,WL) RECESSED HOUSING AND TRIM

LOW VOLTAGE



PRODUCT DESCRIPTION

The round MD1LG2 (WL) mini LED recessed downlight is for use in wet locations and is IC rated for insulated or non-insulated applications. • Sleek, compact form factor provides direct accent lighting with low glare optic system that approximates the light output and distribution of 20W halogen lamps. • Ideal for both residential and commercial wet location applications including bathrooms and eave lighting. • Remote mount Class 2 120V to 12V AC electronic or magnetic transformer required. • Designed to provide 50,000 hours of life. • 5 year limited warranty on LED components.

ENVIRONMENTALLY FRIENDLY, ENERGY EFFICIENT

- No harmful ultraviolet or infrared wavelengths
- No lead or mercury
- Comparable light output to 20W MR11 halogen lamps while consuming 5W

PRODUCT SPECIFICATIONS

LED Light Engine High performance, low power LEDs provide outstanding reliability, performance and color quality/consistency. • 2700K, 3000K, 3500K or 4000K color temperatures available. • 80 or 90 CRI minimum.

Optical System Fixtures are offered with a choice of spot, narrow flood or flood beam patterns. • LED source concealed with lensed optic is deeply recessed into an internal reflector to produce a low glare system. • Reflectors finished to match trim ring color for uniform appearance. • Field replacement of optical lenses is NOT recommended.

Transformer Requires remote mount Class 2, 120V to 12V AC electronic or magnetic transformer for operation. • Juno [TL602E](#) electronic transformer and [MAGXFMR](#) magnetic transformer are designed specifically for use with these fixtures.

Dimming May be dimmed with dimmers tested and qualified by Juno for use with [TL602E](#) and [MAGXFMR](#) – see transformer specifications for compatible dimmers. • Color temperature remains constant over dimming range. • Consult factory for additional information.

Life Rated for 50,000 hours at 70% lumen maintenance.

Labels UL Listed for wet locations and daisy chaining. • Union made. • UL and cUL listed. • RoHS compliant.

Testing All reports are based on published industry procedures; field performance may differ from laboratory performance.

Specifications subject to change without notice.

HOUSING FEATURES

Housing Designed for use in IC (insulated ceiling) or non-IC construction. • Die cast aluminum housing. • Finished with either corrosion resistant painted finishes or E-coat for decorative plated finishes.

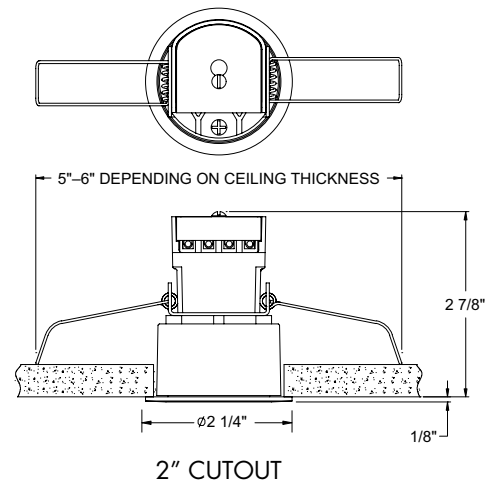
Wiring Compartment Provided with removable access plate. • Four pole terminal block allows for quick, secure connection. • UL /cUL listed for daisy chaining. • Easy to wire with commonly available low voltage cable (Type CL2 or NEC equivalent, 18-12 AWG). Consult local codes for compliant wiring methods.

Mounting Zinc plated torsion clips are provided fully assembled to housing. • Springs allow for fast, secure installation or removal in mounting surfaces from 1/8" to 1" thick material. • 2" Cutout dimension corresponds to common hole saw size.

ELECTRICAL DATA

Input Voltage	12VAC
Input Power	4.8W
Input Current	0.42A
Frequency	Varies with Transformer

DIMENSIONS



ORDERING INFORMATION

Example: MD1LG2 RD 03LM 27K 80CRI FL WL WH

Series	Fixture Form	Lumens	Color Temperature
MD1LG2	RD Round	03LM 300 Nominal Lumens	27K 2700K
			30K 3000K
			35K 3500K
			40K 4000K

CRI	Distribution	Environment	Trim Finish
80CRI 80+ CRI	FL Flood	WL Wet Location	BL Black
90CRI 90+ CRI	NFL Narrow Flood		BZ Bronze
	SP Spot		SN Satin Nickel
			WH White

Transformers

Catalog Number	Finish	Description
TL602E 10W 120 12AC WH	White	10W 12V AC Electronic Transformer
TL602E 25W 120 12AC WH	White	25W 12V AC Electronic Transformer
TL602E 60W 120 12AC WH	White	60W 12V AC Electronic Transformer
MAGXFMR 1C 10W 120 12AC BL	Black	10W 12V AC Magnetic Transformer
MAGXFMR 1C 25W 120 12AC BL	Black	25W 12V AC Magnetic Transformer
MAGXFMR 1C 60W 120 12AC BL	Black	60W 12V AC Magnetic Transformer

To order, specify catalog number.

MINI LED DOWNLIGHT

OUTDOOR/WET LOCATION

MD1LG2 (RD,WL) RECESSED HOUSING AND TRIM

LOW VOLTAGE

PHOTOMETRICS

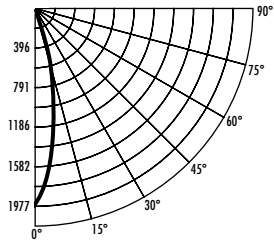
PHOTOMETRIC REPORT

Test Report #: PT10130702R

Catalog No: MD1LG2 RD 03LM 35K
80CRI SP WL WH

Luminaire Spacing Criterion: 0.34

Luminaire LPW: 64



CANDLEPOWER DISTRIBUTION (Candelas)

Degrees Vertical	0°
0	1977
5	1648
15	421
25	80
35	17
45	6
55	3
65	1
75	1
85	0
90	0

Multiplier: 80CRI 90CRI
27K - 0.91 27K - 0.67
30K - 0.95 27K - 0.72
35K - 1.00 35K - 0.77
40K - 1.01 40K - 0.80

AVERAGE INITIAL FOOTCANDLES

Multiple Units (Square Array, 60' x 60' room)

Ceiling 80%, Wall 50%, Floor 20%

Spacing	RCR1	RCR4	RCR8
4'	23	21	19
5'	14	13	12
6'	10	9	9
7'	8	7	7
8'	6	6	5
9'	5	4	4
10'	4	3	3

ZONAL LUMEN SUMMARY

Zone	Lumens	%Lamp	%Fixture
0 - 30°	297	N/A	93.3
0 - 40°	309	N/A	96.9
0 - 60°	316	N/A	99.2
0 - 90°	319	N/A	100.0

INITIAL FOOTCANDLES

One Unit, 5W, 19.4° Beam

Distance to Illuminated Plane (Feet)	Footcandles Beam Center	Beam Diameter
4	123.6	1.4'
6	54.9	2.1'
8	30.9	2.7'
10	19.8	3.4'

LUMINANCE (Average cd/m²)

Degrees	Average 0° Luminance
45	12095
55	6710
65	4720
75	4407
85	1634

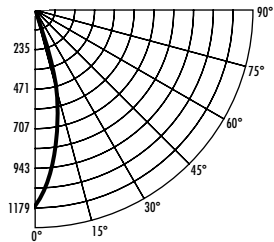
PHOTOMETRIC REPORT

Test Report #: PT10130703R

Catalog No: MD1LG2 RD 03LM 35K
80CRI NFL WL WH

Luminaire Spacing Criterion: 0.42

Luminaire LPW: 61



CANDLEPOWER DISTRIBUTION (Candelas)

Degrees Vertical	0°
0	1179
5	1044
15	436
25	122
35	30
45	9
55	3
65	2
75	1
85	0
90	0

Multiplier: 80CRI 90CRI
27K - 0.91 27K - 0.67
30K - 0.95 30K - 0.72
35K - 1.00 35K - 0.77
40K - 1.01 40K - 0.80

AVERAGE INITIAL FOOTCANDLES

Multiple Units (Square Array, 60' x 60' room)

Ceiling 80%, Wall 50%, Floor 20%

Spacing	RCR1	RCR4	RCR8
4'	21	19	17
5'	14	12	11
6'	9	9	8
7'	8	7	6
8'	6	5	5
9'	5	4	4
10'	3	3	3

ZONAL LUMEN SUMMARY

Zone	Lumens	%Lamp	%Fixture
0 - 30°	270	N/A	88.9
0 - 40°	290	N/A	95.5
0 - 60°	300	N/A	98.9
0 - 90°	304	N/A	100.0

INITIAL FOOTCANDLES

One Unit, 5W, 24.6° Beam

Distance to Illuminated Plane (Feet)	Footcandles Beam Center	Beam Diameter
4	73.7	1.7'
6	32.8	2.6'
8	18.4	3.5'
10	11.8	4.4'

LUMINANCE (Average cd/m²)

Degrees	Average 0° Luminance
45	17336
55	7952
65	6071
75	5507
85	3268

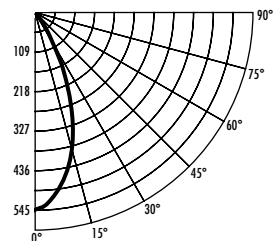
PHOTOMETRIC REPORT

Test Report #: PT10130704R

Catalog No: MD1LG2 RD 03LM 35K
80CRI FL WL WH

Luminaire Spacing Criterion: 0.64

Luminaire LPW: 55



CANDLEPOWER DISTRIBUTION (Candelas)

Degrees Vertical	0°
0	545
5	527
15	366
25	158
35	44
45	14
55	6
65	3
75	2
85	0
90	0

Multiplier: 80CRI 90CRI
27K - 0.91 27K - 0.67
30K - 0.95 30K - 0.72
35K - 1.00 35K - 0.77
40K - 1.01 40K - 0.80

AVERAGE INITIAL FOOTCANDLES

Multiple Units (Square Array, 60' x 60' room)

Ceiling 80%, Wall 50%, Floor 20%

Spacing	RCR1	RCR4	RCR8
4'	19	17	15
5'	12	11	10
6'	8	7	7
7'	7	6	5
8'	5	5	4
9'	4	4	3
10'	3	3	2

ZONAL LUMEN SUMMARY

Zone	Lumens	%Lamp	%Fixture
0 - 30°	221	N/A	81.2
0 - 40°	251	N/A	91.9
0 - 60°	267	N/A	98.0
0 - 90°	273	N/A	100.0

INITIAL FOOTCANDLES

One Unit, 5W, 38.3° Beam

Distance to Illuminated Plane (Feet)	Footcandles Beam Center	Beam Diameter
4	34.1	2.8'
6	15.1	4.2'
8	8.5	5.6'
10	5.5	6.9'

LUMINANCE (Average cd/m²)

Degrees	Average 0° Luminance
45	26205
55	13917
65	10455
75	9364
85	4902

Fixtures tested to IES recommended standard for solid state lighting per LM-79-08. Photometric performance on a single unit at 12VAC in a 25°C ambient represents a baseline of performance for the fixture. Results may vary in the field and when multiple fixtures are used in a system.