



Green Electrical Supply

maximize your green[®]

www.GreenElectricalSupply.com



Project: _____

Fixture Type: _____

Location: _____

Contact/Phone: _____

TRAC 12

Miniature Low Voltage Trac System

LED MODULE 12-VOLT AC

**TL214LEDX1-22K, TL214LEDX2-22K, TL214LEDX3-22K,
TL214LED-27K, TL214LED-3K, TL214LED-35K
and TL214LED-4K**

PRODUCT DESCRIPTION

Miniature LED module approximates the lumen output and light distribution of 5W-10W xenon lamps, utilizing approximately 1/8 of the energy and having a rated life of 50,000 hours. Available in 2200K, 2700K, 3000K, 3500K and 4000K color temperatures, the white-light TL214LED Series is compatible with standard Trac 12 and Trac 12/25 trac, operating with 12V AC power. The modules can be placed anywhere along the Trac, and the trac can be cut-to-length during installation, making Trac 12 LED Modules the most flexible linear lighting choice.

PRODUCT SPECIFICATIONS

LED High performance LEDs provide outstanding reliability, performance and color quality/consistency • 2200K, 2700K, 3000K, 3500K or 4000K white phosphor low power LED designed to operate using 12-volt AC input • High 90 CRI minimum (except 2200K which is 85 CRI typical) • Chromaticity range within 3-step MacAdam ellipses

Housing High temperature polycarbonate • Color-neutral, natural finish • Lightly diffused lens to optimize light dispersion.

Electrical Contacts Tempered phosphor bronze.

Trac Refer to specification sheets [D3.1.0](#) and [D3.1.1](#).

Transformers/Drivers Compatible with all 12VAC Trac 12 and Trac 12/25 Remote Mount Magnetic Transformers – refer to specification sheets [D3.1.3](#) and [D3.1.6](#) and [D3.1.10](#) • Compatible with all 12VAC TL601E and TL602E Electronic Drivers – refer to specification sheets [D3.1.8](#) and [D3.1.9](#).

Dimming May be dimmed with dimmers tested and qualified by Juno for use with the non-resistive TL214LED Series load – see transformer/driver specifications for compatible dimmers • Color temperature remains constant over dimming range • Consult factory for additional dimming information.

Warranty Warranty period is 5 years from date of purchase for LED components • Standard Juno Lighting Group product guarantee terms and conditions apply • Continuously operating the TL214LED above 12VAC will void the warranty.

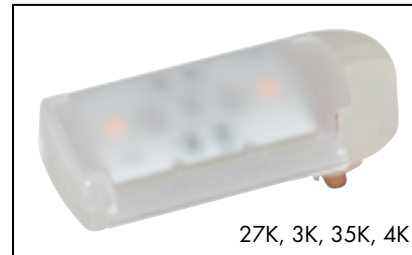
Labels UL/cUL Listed.

Product specifications subject to change without notice.

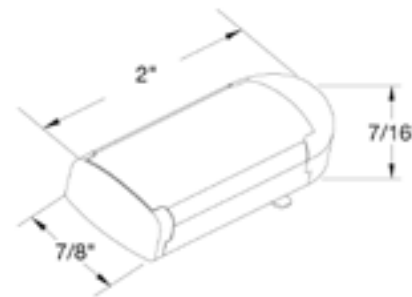
DIMENSIONS



22K



27K, 3K, 35K, 4K



PRODUCT CODES

| Catalog Number | Wattage (Nominal) | Color Temperature |
|----------------|-------------------|-------------------|
| TL214LEDX1-22K | 0.5W | 2200K |
| TL214LEDX2-22K | 1.0W | 2200K |
| TL214LEDX3-22K | 1.5W | 2200K |
| TL214LED-27K | 1.5W | 2700K |
| TL214LED-3K | 1.5W | 3000K |
| TL214LED-35K | 1.5W | 3500K |
| TL214LED-4K | 1.5W | 4000K |

PERFORMANCE DATA¹

| Catalog Number | Input Voltage | Watts (Nominal) | Efficacy (LPW) | Rated Life (Hours) |
|----------------|---------------|-----------------|----------------|--------------------|
| TL214LEDX1-22K | 12.0V | 0.5W | 20 | 50,000 |
| TL214LEDX2-22K | 12.0V | 1.0W | 40 | 50,000 |
| TL214LEDX3-22K | 12.0V | 1.5W | 56 | 50,000 |
| TL214LED-27K | 12.0V | 1.5W | 76 | 50,000 |
| TL214LED-3K | 12.0V | 1.5W | 78 | 50,000 |
| TL214LED-35K | 12.0V | 1.5W | 79 | 50,000 |
| TL214LED-4K | 12.0V | 1.5W | 80 | 50,000 |

¹Performance data, including Rated Life, is based on measurements of an individual module operating in a 25°C ambient. In practice, multiple modules used in a system will average slightly lower power consumption due to voltage drop within the system.

Note: For operation at 11.5 volts multiply Lumens by 0.94.

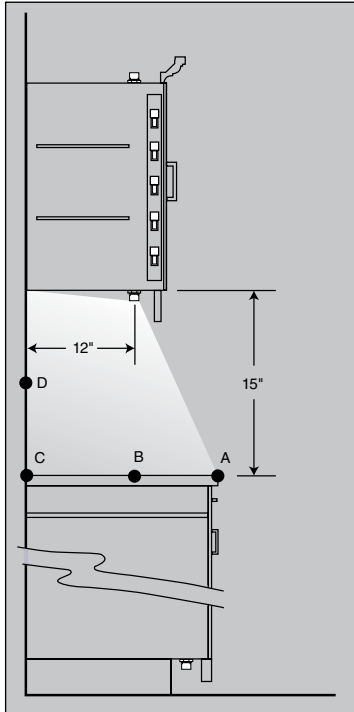
TRAC 12

Miniature Low Voltage Trac System

LED MODULE 12-VOLT AC

**TL214LEDX1-22K, TL214LEDX2-22K, TL214LEDX3-22K,
TL214LED-27K, TL214LED-3K, TL214LED-35K
and TL214LED-4K**

Cabinetry Lighting Guidelines



Over Cabinets Trac 12, using modules spaced 6" on-center, generally provides excellent indirect lighting. For lower-level mood lighting, closer module spacing and dimming is recommended. Placing the fixture at the front edge of the cabinet top will project light into the space and illuminate any displayed objects. Locate top of module even with top edge of cove molding to prevent a harsh shadow line.

Inside Cabinets Running Trac 12 vertically on the front inside of cabinets avoids the need to put trac on each shelf. Placing modules 4"-6" on-center generally provide adequate lighting inside a cabinet.

Under Cabinets Placing Juno Trac 12 at the front lip of the cabinet conceals the fixture from view, minimizes veiling reflections, and provides maximum light on the working area of the countertop.

| Footcandles on Horizontal Work Surface * | | | | | | |
|--|------------|-------------|-------------|-----|----|----|
| Catalog Number | Color Temp | O.C Spacing | Footcandles | | | |
| | | | A | B | C | D |
| TL214LEDX1-22K | 2200K | 3" | 12 | 33 | 19 | 16 |
| TL214LEDX2-22K | 2200K | 3" | 24 | 65 | 39 | 31 |
| TL214LEDX3-22K | 2200K | 3" | 36 | 96 | 56 | 45 |
| TL214LEDX1-22K | 2200K | 4" | 9 | 25 | 15 | 12 |
| TL214LEDX2-22K | 2200K | 4" | 18 | 49 | 30 | 24 |
| TL214LEDX3-22K | 2200K | 4" | 27 | 72 | 42 | 34 |
| TL214LED-27K | 2700K | 3" | 49 | 127 | 73 | 63 |
| TL214LED-3K | 3000K | 3" | 50 | 134 | 78 | 63 |
| TL214LED-35K | 3500K | 3" | 53 | 139 | 82 | 66 |
| TL214LED-4K | 4000K | 3" | 55 | 147 | 86 | 69 |
| TL214LED-27K | 2700K | 4" | 37 | 95 | 55 | 47 |
| TL214LED-3K | 3000K | 4" | 38 | 100 | 58 | 47 |
| TL214LED-35K | 3500K | 4" | 40 | 105 | 62 | 50 |
| TL214LED-4K | 4000K | 4" | 42 | 111 | 65 | 52 |

*Data shown is for operation at 12-volts. For operation at 11.5-volts, multiply by 0.94.

Kick Spaces Modules spaced 4" on-center generally provides adequate kick space lighting. Wider spacings can be used when the distance from the trac to the floor is greater than 4" or when even illumination is not required.

Note: Shiny flooring or countertops may cause lamp image reflections.

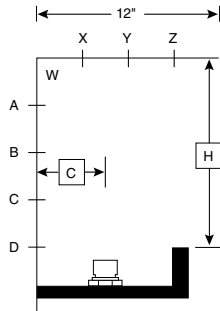
TRAC 12

Miniature Low Voltage Trac System

LED MODULE 12-VOLT AC

**TL214LEDX1-22K, TL214LEDX2-22K, TL214LEDX3-22K,
TL214LED-27K, TL214LED-3K, TL214LED-35K
and TL214LED-4K**

Cove Lighting



Placement Guidelines

- For uniform illumination o.c. lamp spacing must be equal to or less than lamp spacing from wall "C"

Footcandles on Vertical and Horizontal Planes *

| Lamp Spacing From Wall [C] | O.C. Lamp Spacing | Cove Height [H] | Footcandles on Vert. Plane (Wall) | | | | Footcandles on Horiz. Plane (Ceiling) | | | |
|--|-------------------|-----------------|-----------------------------------|-----|-----|-----|---------------------------------------|-----|-----|-----|
| | | | A | B | C | D | W | X | Y | Z |
| TL214LEDX1-22K | | | | | | | | | | |
| 3" | 3" | 6" | 68 | 78 | 76 | 57 | 98 | 116 | 83 | 48 |
| 3" | 3" | 9" | 40 | 52 | 68 | 45 | 71 | 76 | 63 | 43 |
| 3" | 3" | 12" | 25 | 34 | 58 | 41 | 53 | 55 | 49 | 37 |
| 4" | 4" | 6" | 50 | 51 | 45 | 36 | 62 | 84 | 72 | 43 |
| 4" | 4" | 9" | 32 | 37 | 39 | 27 | 49 | 56 | 51 | 37 |
| 4" | 4" | 12" | 22 | 27 | 36 | 23 | 38 | 42 | 39 | 31 |
| TL214LEDX2-22K | | | | | | | | | | |
| 3" | 3" | 6" | 134 | 153 | 149 | 112 | 193 | 228 | 163 | 95 |
| 3" | 3" | 9" | 79 | 101 | 132 | 89 | 140 | 150 | 124 | 84 |
| 3" | 3" | 12" | 50 | 67 | 112 | 81 | 103 | 109 | 96 | 74 |
| 4" | 4" | 6" | 98 | 100 | 89 | 71 | 122 | 166 | 142 | 84 |
| 4" | 4" | 9" | 63 | 74 | 77 | 53 | 96 | 111 | 100 | 73 |
| 4" | 4" | 12" | 42 | 54 | 71 | 45 | 75 | 83 | 77 | 61 |
| TL214LED-3K, TL214LED-35K¹ | | | | | | | | | | |
| 4" | 4" | 6" | 200 | 204 | 181 | 143 | 248 | 337 | 288 | 171 |
| 4" | 4" | 9" | 128 | 150 | 156 | 107 | 196 | 225 | 204 | 148 |
| 4" | 4" | 12" | 87 | 110 | 145 | 92 | 153 | 168 | 156 | 125 |
| 5" | 5" | 6" | 148 | 143 | 124 | 105 | 167 | 245 | 255 | 160 |
| 5" | 5" | 9" | 103 | 113 | 107 | 75 | 141 | 171 | 169 | 129 |
| 5" | 5" | 12" | 72 | 88 | 99 | 63 | 114 | 129 | 125 | 105 |

¹ For 2200K fixtures, use 0.72 multiplier, for 2700K fixtures, use 0.97 multiplier; for 4000K fixtures, use 1.02 multiplier.

LUMENS PER FOOT*

| Catalog Number | Lamp Spacing | | | |
|-----------------------|--------------|-----|-----|-----|
| | 2" | 3" | 4" | 6" |
| TL214LEDX1-22K | 120 | 80 | 60 | 40 |
| TL214LEDX2-22K | 240 | 160 | 120 | 80 |
| TL214LEDX3-22K | 336 | 224 | 168 | 112 |
| TL214LED-27K | 456 | 304 | 228 | 152 |
| TL214LED-3K | 470 | 313 | 235 | 157 |
| TL214LED-35K | 472 | 315 | 236 | 157 |
| TL214LED-4K | 478 | 319 | 239 | 159 |

*Data shown is for operation at 12-volts. For operation at 11.5-volts, multiply by 0.94.

MAXIMUM TRAC RUN LENGTH**

| Catalog Number | Transformer | Lamp Spacing | | | |
|-----------------------|-------------|--------------|----|----|----|
| | | 2" | 3" | 4" | 6" |
| TL214LEDX1-22K | Electronic | 14 | 17 | 19 | 24 |
| | Magnetic | 38 | 47 | 54 | 65 |
| TL214LEDX2-22K | Electronic | 10 | 11 | 13 | 15 |
| | Magnetic | 30 | 36 | 44 | 52 |
| TL214LEDX3-22K | Electronic | 9 | 12 | 13 | 16 |
| TL214LED-27K | Magnetic | 24 | 30 | 32 | 42 |
| TL214LED-3K | | | | | |
| TL214LED-35K | | | | | |
| TL214LED-4K | | | | | |

**Based on 20% maximum light output decrease between first and last fixture on trac due to voltage drop; to utilize full capacity of trac and transformers, individual transformer circuits may have to feed multiple runs using separate feed points.



THIS SIDE INTENTIONALLY LEFT BLANK



1300 S. Wolf Road • Des Plaines, IL 60018 • Phone (847) 827-9880 • Fax (847) 827-2925
220 Chrysler Drive • Brampton, Ontario • Canada L6S 6B6 • Phone (905) 792-7335 • Fax (905) 792-0064
Visit us at www.junolightinggroup.com

Printed in U.S.A. ©2016 Acuity Brands Lighting, Inc.