



**Green Electrical Supply**

maximize your green<sup>®</sup>

[www.GreenElectricalSupply.com](http://www.GreenElectricalSupply.com)



# INSTALLATION INSTRUCTIONS

## JUNO SOLO-TASK LED UNDERCABINET/DISPLAY LIGHTING

### USTL1 Fixtures

**WARNING:** For your safety, read and understand instructions completely before starting installation. Before wiring to power supply or secondary devices, turn off electricity at the fuse or circuit breaker box.

**Note:** Juno recessed fixtures are designed to meet the latest NEC requirements and are listed in full compliance with UL 2108. Before attempting installation of any recessed lighting fixture, check your local electrical building code. This code sets the wiring standards and installation requirements for your locality and should be understood before starting work.

### SAVE THESE INSTRUCTIONS

#### Installation Instructions

**Step 1.** Juno Solo Task Undercabinet fixtures are intended for use with any 12V AC Class 2 transformer. Note: A single fixture consumes approximately 5W per fixture depending on transformer and system loading. For best performance, it is recommended that fixtures are operated with Juno TL602E or TL548U electronic transformers, or the TL576 magnetic transformer. Refer to the transformer specifications for minimum and maximum loading. Make certain power delivered to fixtures does not exceed 12V AC. Follow all local & national electrical codes for wiring from the transformer to the fixtures, or from fixture to fixture if daisy-chaining (Refer to wiring diagram).

**Step 2.** Remove cover from the base assembly by twisting 1/4 turn counter-clockwise.

**Step 3.** To surface mount fixture use the template (Fig. 3) to drill two pilot holes for the wood screws before attaching the fixture to mounting surface (Fig. 1.) For a typical under-kitchen cabinet installation, it is recommended to space fixtures 9" to 9-1/2" from back wall to fixture center for even illumination of counter and backsplash. Wiring from transformer to fixture, and fixture to fixture can be handled two ways. **Option-1:** wiring exposed on the underside of the cabinet (Fig 1). When using option-1 with exposed wiring, it may be easier to wire fixtures before they are installed to mounting surface. Mark the center points of fixtures on mounting surface and drill mounting pilot holes (Fig 3). Take your fixture center-to-center measurement. By subtracting 2" from this dimension, you will have the wire length required to connect fixtures together (refer to wiring diagram). **Option-2:** bring wires in from above fixture mounting surface (Fig 2). When using option-2 use the template (Fig 3) to drill two holes for wiring to pass through mounting surface (Fig 2). For optimal, even illumination, it is recommended to space fixtures 18" apart. However, fixture spacing less than or more than 18" will still provide high-quality lighting performance.

**Step 4.** Route Class 2 wiring from the secondary side of the transformer to fixture(s). Class 2 (CL2) cable or equivalent code compliant wiring is required. Strip secondary leads 3/16" for insertion into fixture terminals.

**Step 5.** Secondary wiring is not polarized. After inserting leads into terminal, tighten terminal block set screws securely to retain wires to 4 in-lb minimum (Fig. 1.) Make certain no bare conductors are exposed after attachment to terminals.

**Step 6.** Use enclosed adhesive backed wire management clips (provided with Juno packaged wire (UST18G) and Solo Task 3-fixture kit (UK3STL-3K).

**Step 7.** Complete installation of all fixtures before restoring electrical power.

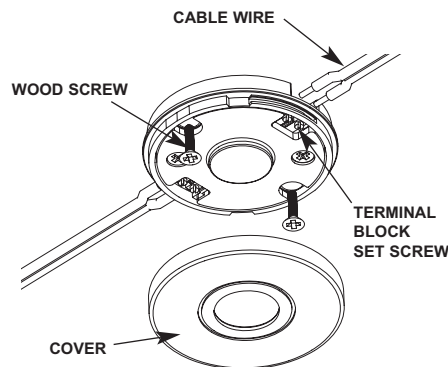


Figure 1

#### Wiring Diagram

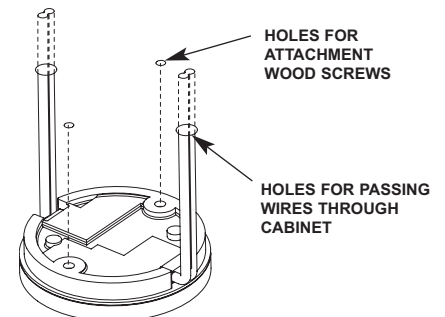
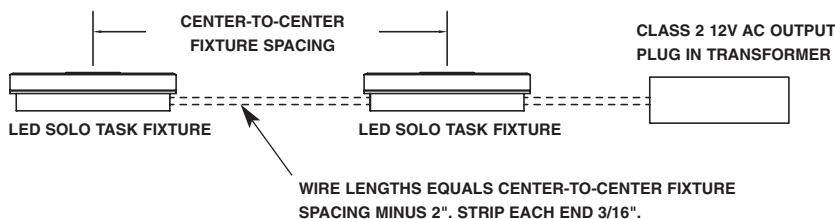


Figure 2

### WARRANTY

Juno Lighting Group provides five year limited warranty on LED components from date of purchase. Juno Lighting Group's obligation is expressly limited to repair or replacement, without charge, at Juno Lighting Group's factory after prior written return authorization has been granted. This warranty shall not apply to products which have been altered or repaired outside of Juno Lighting Group's factory. This warranty is in lieu of all other warranties, expressed or implied, and without limiting the generality of the foregoing phrase, excludes any implied warranty of merchantability. Also, there are no warranties which extend beyond the description of the product on the company's literature setting forth terms of sale.

1300 South Wolf Road • Des Plaines, IL 60018  
PHONE (847) 827-9880 • FAX (847) 827-2925 • www.junolightinggroup.com



JUNO LIGHTING GROUP  
by Schneider Electric

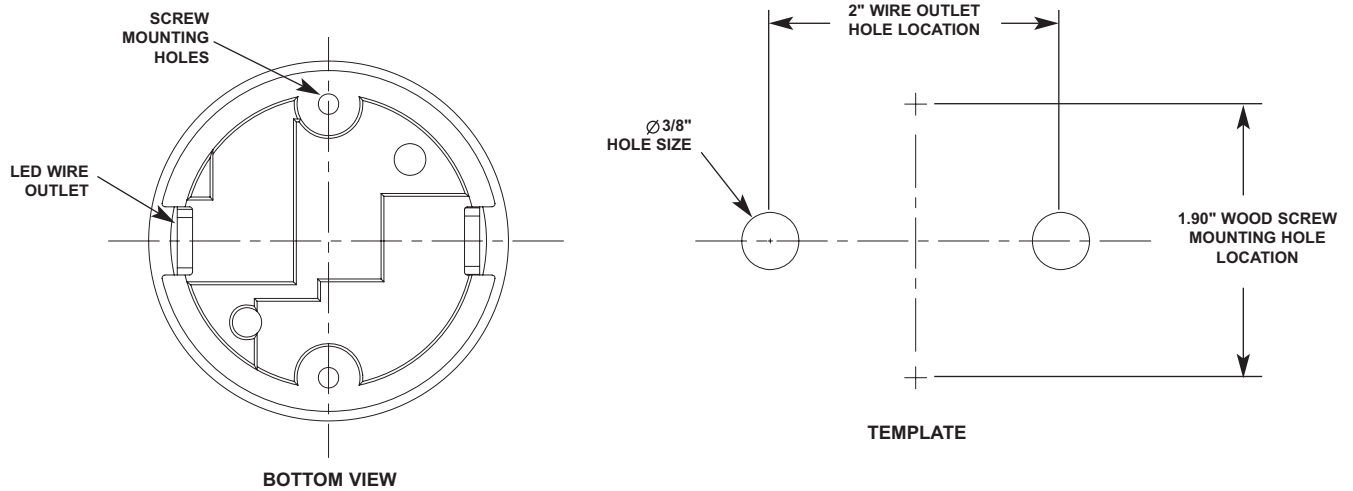


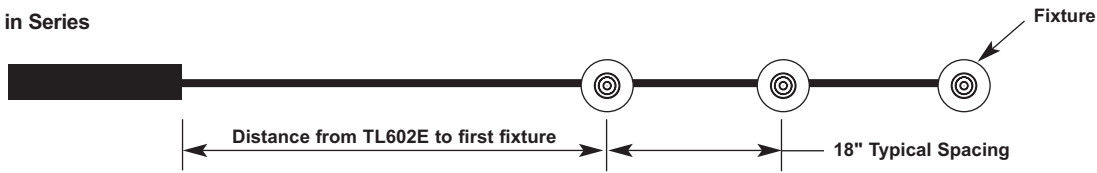
Figure 3

**TL602E, 60W Electronic Transformer, 120V AC input, 12V AC output.**

For optimal, even illumination, recommended on-center spacing between Solo-Task fixtures is 18".

To ensure consistent light levels from first Solo-Task fixture to last, please follow the guidelines in the wiring tables below. The wiring tables apply when using 14, 16 or 18 gauge wires.

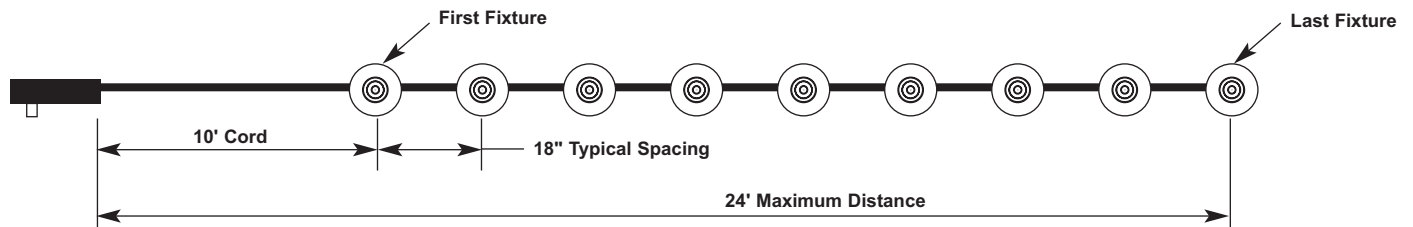
**Wired in Series**



Distance from TL602E to first fixture	Number of fixtures that can be used when spaced 18" on center	To ensure consistent light levels the maximum system distance from TL602E to last fixture should not exceed
1' to 4'	10	19'
6' to 10'	9	24'
12' to 14'	8	26'
16' to 20'	7	30'

Note: Any additional wire added between fixtures for wire management purposes must be figured into the overall system distance.

**TL548U, Plug-in 60W Electronic Transformer, 120V AC input, 12V AC output.**



Maximum distance for system is 24-feet from power supply to last Solo-Task fixture to ensure consistent light levels from first fixture to last. This layout enables the use of 9 Solo-Task fixtures. Ten fixtures can be used, however light levels may not be consistent due to added system length. If overall system length is 24' or less, then light levels will be consistent even with ten fixtures.

Note: Any additional cord length used, either added to power supply cord, or between fixtures for wire management purposes, must be figured in the overall system distance.



JUNO LIGHTING GROUP  
by Schneider Electric