



Green Electrical Supply

maximize your green[®]

www.GreenElectricalSupply.com



KTEB-221PS-1-TP

T5 ELECTRONIC BALLAST



DESCRIPTION

2 x F21T5 | 120V | Normal Power Factor | Small Plastic Case

STARTING METHOD: Programmed Preheat
LAMP CONNECTION: Parallel
INPUT VOLTAGE: 120VAC ±10%
INPUT FREQUENCY: 60 Hz
BALLAST FACTOR (LIGHT OUTPUT): Normal
WARRANTY: 3 Years



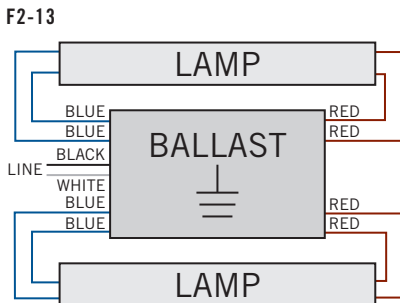
PRODUCT FEATURES

- Sound Rated: A
- Minimum Starting Temperature: 0°F, -18°C
- Maximum Case Temperature: 167°F, 75°C
- Meets FCC Part 18 (Class B) Consumer Limits
- Lamp End-of-Life Protected

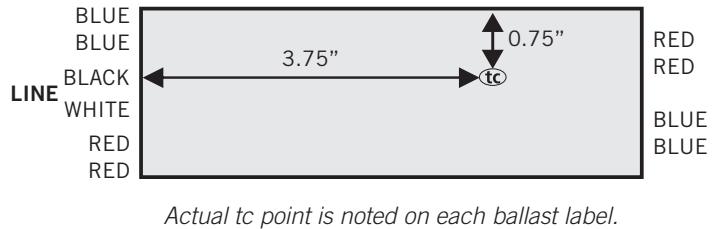
ELECTRICAL SPECIFICATIONS

Lamp Type	No. of Lamps	Input Volts	Input Watts	Input Current	Power Factor	Crest Factor	Ballast Factor	Ballast Efficacy Factor	Max. THD
F28T5	2	120V	50W	0.70A	0.59	1.51	0.80	1.60	130%
F21T5	2	120V	41W	0.60A	0.58	1.51	1.00	2.44	130%
F14T5	2	120V	30W	0.44A	0.55	1.55	0.95	3.17	130%

WIRING DIAGRAM



HOT SPOT LOCATION



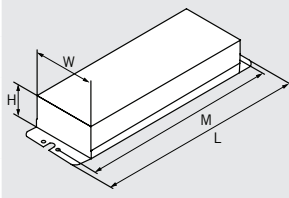


KTEB-221PS-1-TP

T5 ELECTRONIC BALLAST

PHYSICAL SPECIFICATIONS

CASE DIMENSIONS



LENGTH	6.46"
WIDTH	1.32"
HEIGHT	1.00"
MOUNTING	6.00"
CASE STYLE	L7

ORDERING INFORMATION

ORDER CODE	PACKAGING STYLE	PACK QTY.	ITEM STATUS
KTEB-221PS-1-TP-CP	Carton Pack	40	Active

CATALOG NUMBER BREAKDOWN

KTEB-221PS-1-TP-CP

