



Green Electrical Supply

maximize your green[®]

www.GreenElectricalSupply.com



KTEB-432-UV-PS-N-P

T8 ELECTRONIC BALLAST

Version D2



DESCRIPTION

4x F32T8 | 120-277 Multi-Voltage | HPF | Program Start

STARTING METHOD: Program
LAMP CONNECTION: Parallel
INPUT VOLTAGE: 120-277VAC ±10%
INPUT FREQUENCY: 50/60 Hz
POWER FACTOR: High
WARRANTY: 5 Years



PRODUCT FEATURES

- 2014 DOE Compliant
- Sound Rated: A
- Maximum Ambient Temperature: 105°F, 40°C
- Maximum Case Temperature: 167°F, 75°C
- Meets FCC Part 18 (Class A) Non-Consumer Limits
- Meets ANSI Standard C82.11 and C62.41
- UL, cUL Listed Class P, Type 1 Outdoor
- Anti-Striation Circuitry
- Type HL

ELECTRICAL SPECIFICATIONS

LAMP TYPE	NO. OF LAMPS	INPUT VOLTS	INPUT WATTS	INPUT CURRENT (AMPS)	POWER FACTOR	BALLAST FACTOR	BALLAST EFFICACY FACTOR	MAX THD%	CREST FACTOR	MIN START TEMP	WIRING DIAGRAM
F32T8 (32W)	4	120	112.8	0.97	>0.9	0.88	0.78	10	<1.7	0°F, -18°C	F4-6
		277	110.6	0.40	>0.9	0.88	0.80	10	<1.7	0°F, -18°C	F4-6
	3	120	91.7	0.78	>0.9	0.93	1.01	10	<1.7	0°F, -18°C	F3-8
		277	90.4	0.34	>0.9	0.93	1.03	10	<1.7	0°F, -18°C	F3-8
F32T8 (30W)	4	120	100.8	0.86	>0.9	0.88	0.87	10	<1.7	60°F, 16°C	F4-6
		277	98.8	0.36	>0.9	0.88	0.89	10	<1.7	60°F, 16°C	F4-6
	3	120	83.0	0.70	>0.9	0.93	1.12	10	<1.7	60°F, 16°C	F3-8
		277	82.4	0.30	>0.9	0.93	1.13	10	<1.7	60°F, 16°C	F3-8
F32T8 (28W)	4	120	99.5	0.85	>0.9	0.88	0.88	10	<1.7	60°F, 16°C	F4-6
		277	96.8	0.35	>0.9	0.88	0.91	10	<1.7	60°F, 16°C	F4-6
	3	120	79.1	0.67	>0.9	0.93	1.18	10	<1.7	60°F, 16°C	F3-8
		277	79.6	0.31	>0.9	0.93	1.17	10	<1.7	60°F, 16°C	F3-8
F32T8 (25W)	4	120	87.8	0.76	>0.9	0.88	1.00	10	<1.7	60°F, 16°C	F4-6
		277	86.7	0.32	>0.9	0.88	1.01	10	<1.7	60°F, 16°C	F4-6
	3	120	72.9	0.61	>0.9	0.93	1.28	10	<1.7	60°F, 16°C	F3-8
		277	71.8	0.28	>0.9	0.93	1.30	10	<1.7	60°F, 16°C	F3-8
F25T8	4	120	87.8	0.76	>0.9	0.88	1.00	10	<1.7	0°F, -18°C	F4-6
		277	86.7	0.32	>0.9	0.88	1.01	10	<1.7	0°F, -18°C	F4-6
	3	120	72.9	0.61	>0.9	0.93	1.28	10	<1.7	0°F, -18°C	F3-8
		277	71.8	0.28	>0.9	0.93	1.30	10	<1.7	0°F, -18°C	F3-8
F17T8	4	120	60.4	0.50	>0.9	0.89	1.47	10	<1.7	0°F, -18°C	F4-6
		277	60.1	0.22	>0.9	0.89	1.48	10	<1.7	0°F, -18°C	F4-6
	3	120	51.0	0.43	>0.9	0.95	1.86	10	<1.7	0°F, -18°C	F3-8
		277	50.9	0.20	>0.9	0.95	1.87	12	<1.7	0°F, -18°C	F3-8
F40T8	3	120	111.9	0.96	>0.9	0.97	0.87	10	<1.7	0°F, -18°C	F3-8
		277	109.4	0.40	>0.9	0.97	0.89	10	<1.7	0°F, -18°C	F3-8
PLL 25W	4	120	96.0	0.82	>0.9	0.88	0.92	10	<1.7	0°F, -18°C	P4-2
		277	94.8	0.35	>0.9	0.88	0.93	10	<1.7	0°F, -18°C	P4-2
	3	120	80.2	0.67	>0.9	0.93	1.16	10	<1.7	0°F, -18°C	P4-2
		277	79.5	0.29	>0.9	0.93	1.17	10	<1.7	0°F, -18°C	P4-2



KTEB-432-UV-PS-N-P

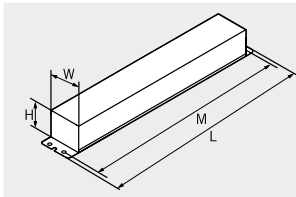
T8 ELECTRONIC BALLAST

Version D2

LAMP TYPE	NO. OF LAMPS	INPUT VOLTS	INPUT WATTS	INPUT CURRENT (AMPS)	POWER FACTOR	BALLAST FACTOR	BALLAST EFFICACY FACTOR	MAX THD%	CREST FACTOR	MIN START TEMP	WIRING DIAGRAM
PLL 28W	4	120	114.5	0.98	>0.9	0.88	0.77	10	<1.7	0°F, -18°C	P4-2
		277	112.0	0.41	>0.9	0.88	0.79	10	<1.7	0°F, -18°C	P4-2
	3	120	93.2	0.79	>0.9	0.93	1.00	10	<1.7	0°F, -18°C	P4-2
		277	91.5	0.34	>0.9	0.93	1.02	10	<1.7	0°F, -18°C	P4-2
PLL 40W	3	120	96.0	0.81	>0.9	0.74	0.77	10	<1.7	0°F, -18°C	P4-2
		277	94.0	0.35	>0.9	0.74	0.79	10	<1.7	0°F, -18°C	P4-2

PHYSICAL SPECIFICATIONS

CASE DIMENSIONS



LENGTH	9.50"
WIDTH	1.70"
HEIGHT	1.18"
MOUNTING	9.00"
CASE STYLE	L5

STANDARD LEAD LENGTH*

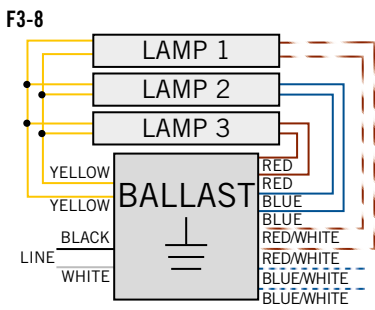
WHITE	25"
BLACK	25"
BLUE	31"
BLUE / WHITE	31"
RED	31"
RED / WHITE	31"
YELLOW	39"

CASE MATERIAL: Steel

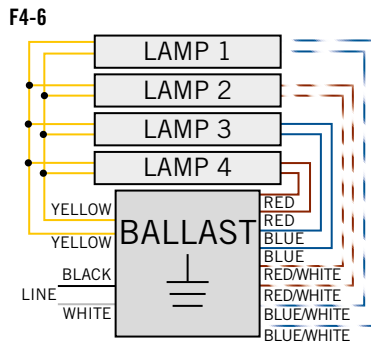
Lead wires are 18 AWG 105 C/600V, solid copper.

* Consult Keystone for special lead length requirements.

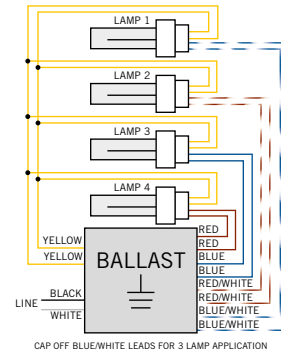
WIRING DIAGRAMS



CAP UNUSED BLUE/WHITE LEADS, INSULATE TO 600V



P4-2



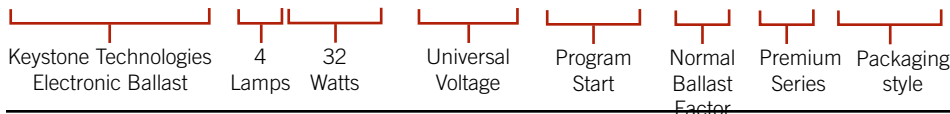
ORDERING INFORMATION

ORDER CODE	PACKAGING STYLE	PACK QTY.	ITEM STATUS
KTEB-432-UV-PS-N-P-CP	Carton Pack	10	Quick Ship
KTEB-432-UV-PS-N-P-CP	Distributor Pack		

NOTE: Version D2 (Manufacturing Revision). Prior versions of this ballast exist. Spec sheets for prior versions available upon request. Contact Keystone for details.

CATALOG NUMBER BREAKDOWN

KTEB-432-UV-PS-N-P-CP



Keystone Technologies • 208 Progress Drive, Montgomeryville, PA 18936 • Phone (800) 464-2680 • Fax (888) 966-0556 • www.keystoneballast.com