



**Green Electrical Supply<sup>®</sup>**

**maximize your green<sup>®</sup>**

[GreenElectricalSupply.com](http://GreenElectricalSupply.com)

## KT-LED9A19-0-8XX-ND REPLACEMENT LAMP

### DESCRIPTION

9W A19 Lamp | 2700–5000K | >80 CRI | Omni-Directional



RoHS  
 Compliant

**2YEAR**  
 WARRANTY

|   |
|---|
| <b>LAMP TYPE:</b> A19                   |
| <b>BASE TYPE:</b> E26 (Medium)          |
| <b>WATTAGE:</b> 9W                      |
| <b>COLOR TEMPERATURE:</b> 2700–5000K    |
| <b>COLOR RENDERING INDEX (CRI):</b> >80 |
| <b>WARRANTY:</b> 2 Years                |
| <b>RATED LIFE:</b> L70 (15,000 Hours)   |



### TYPICAL APPLICATIONS

- Table, Desk, and Floor Lamps
- Wall Sconces
- Surface Mount Ceiling Fixtures
- General Lighting
- Pendant Lights

### PRODUCT FEATURES

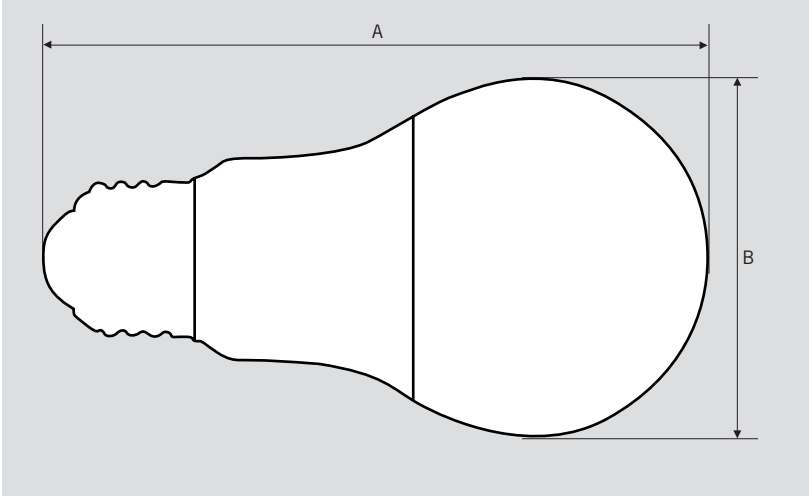
- Energy Efficient, 80%+ Energy Savings over Legacy Equivalents
- Lower Heat Generation than Legacy Equivalents
- PF >0.60
- Complies with Part 15 of FCC
- Durable Plastic housing lowers the risk for breakage
- UL enclosed rated, suitable for use in totally enclosed luminaires
- Operating temperature range –4°F/–20°C to 95°F/35°C
- Long Life minimizes replacement and maintenance costs
- Meets Energy Star requirements
- UL Listed
- Smooth diffused lens for comfortable glare free performance
- ANSI complaint construction ensures fitment for intended applications

### ELECTRICAL AND PERFORMANCE SPECIFICATIONS

| Keystone Catalog Number | Description                               | Color Temp | Input Voltage | Rated Lamp Wattage | Legacy Equivalent Wattage | Base Type | Lumens | CRI | Light Distribution | Dimmable | Efficacy |
|-------------------------|---|------------|---------------|--------------------|---------------------------|-----------|--------|-----|--------------------|----------|----------|
| KT-LED9A19-0-827-ND     | PAR38 bulb. Omni-Directional, non-dimming | 2700K      | 120V          | 9W                 | 60W halogen               | E26       | 800    | >80 | 230°               | No       | 89 lm/W  |
| KT-LED9A19-0-830-ND     | PAR38 bulb. Omni-Directional, non-dimming | 3000K      | 120V          | 9W                 | 60W halogen               | E26       | 800    | >80 | 230°               | No       | 89 lm/W  |
| KT-LED9A19-0-835-ND     | PAR38 bulb. Omni-Directional, non-dimming | 3500K      | 120V          | 9W                 | 60W halogen               | E26       | 800    | >80 | 230°               | No       | 89 lm/W  |
| KT-LED9A19-0-850-ND     | PAR38 bulb. Omni-Directional, non-dimming | 5000K      | 120V          | 9W                 | 60W halogen               | E26       | 800    | >80 | 230°               | No       | 89 lm/W  |

**KT-LED9A19-0-8XX-ND**  
REPLACEMENT LAMP

**PHYSICAL CHARACTERISTICS**



**PACKAGING**

|                   |                       |
|-------------------|-----------------------|
| Carton Quantity   | 60 pcs                |
| Carton Dimensions | 15.55" × 13.07" × 10" |
| Carton Weight     | 9.8 lbs               |

**LAMP DIMENSIONS**

|              |       |
|--------------|-------|
| A (Length)   | 4.33" |
| B (Diameter) | 2.36" |

BASE TYPE: E26 (Medium)

**ORDERING INFORMATION**

| ORDER CODE          | CARTON QUANTITY | ITEM STATUS |
|---------------------|-----------------|-------------|
| KT-LED9A19-0-8XX-ND | 60 pcs          | Active      |

**CATALOG NUMBER BREAKDOWN**

**KT-LED9A19-0-8XX-ND**

- 1
- 2
- 3
- 4
- 5
- 6
- 7
- 8

- 1 Keystone Technologies
- 2 LED Lamp
- 3 Wattage
- 4 Lamp Shape
- 5 Omni-Directional
- 6 800 Series
- 7 Color Temperature
- 8 Non-Dimming