

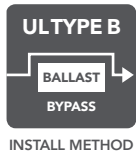


Green Electrical Supply[®]

maximize your green[®]

GreenElectricalSupply.com

HIGH BAY RETROFITS FOR ENCLOSED FIXTURES



designed to perform

advanced active cooling



LED-8242M

- Available in 95W, 140W and 270W models replacing up to 1000W HID.
- Dynamic temp control with advanced active cooling supports a longer, brighter life.
- Pretested & potted drivers are burnt in 3x prior to shipping and protected against vibration & moisture.
- Expertly engineered to work efficiently in enclosed fixtures & damp environments, while also protected against insects & dust.
- Dual stage MOV protection with integrated 6kA surge.
- USA designed & specified LED driver.

replaces up to 1000W HID



PART #	UPC	REPLACES	WATTAGE	LUMENS	CCT (K)*	VOLTAGE**	BASE	DLC CODES
LED-8236M50	844006023256	250W HID	95W	13000	5000K	120-277V	EX39	PGZP2DPL
LED-8232M50	844006023232	400W HID	140W	19500	5000K	120-277V	EX39	PIK6EJTU
LED-8242M50	844006023317	1000W HID	270W	35425	5000K	120-277V	EX39	P6ECNODA
LED-8242M50-HV	844006055448	1000W HID	270W	35425	5000K	277-480V	EX39	N/A

* See page 2 for additional color temperatures.

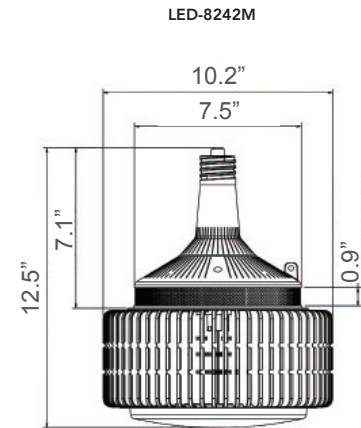
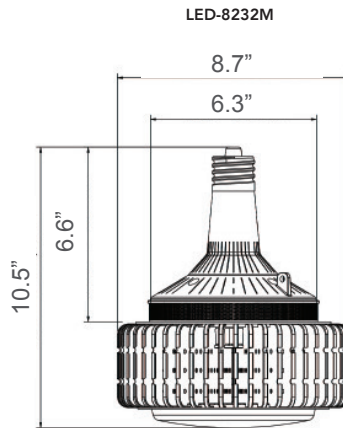
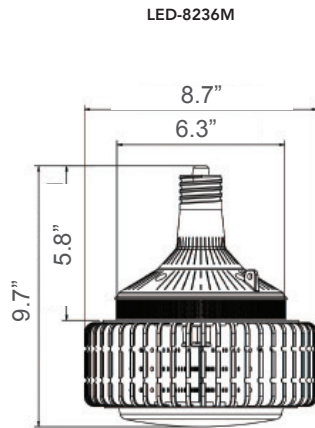
** See page 2 for 347 volt options for Canada. 🇨🇦



LIGHT EFFICIENT DESIGN HEADQUARTERS 188 S. Northwest Highway • Cary, IL 60013
 INNOVATION & MANUFACTURING CENTER 30 Log Bridge Road, Building 200 • Middleton, MA 01949
 847.380.3540 • led-llc.com

10.12.20 Information is subject to change without notice.

HIGH BAY RETROFITS FOR ENCLOSED FIXTURES



ORDERING GUIDE

PART #	UPC	REPLACES	WATTAGE	LUMENS	CCT (K)	VOLTAGE	BASE	DLC CODES
LED-8236M40	844006023249	250W HID	95W	12900	4000K	120-277V	EX39	PE7IDTIV
LED-8236M50	844006023256	250W HID	95W	13000	5000K	120-277V	EX39	PGZP2DPL
LED-8232M40	844006023225	400W HID	140W	19200	4000K	120-277V	EX39	PIG0DL0E
LED-8232M50	844006023232	400W HID	140W	19500	5000K	120-277V	EX39	PIK6EJTU
LED-8242M40	844006023300	1000W HID	270W	34415	4000K	120-277V	EX39	P2OQ9XUL
LED-8242M50	844006023317	1000W HID	270W	35425	5000K	120-277V	EX39	P6ECNODA
LED-8242M40-HV	844006055431	1000W HID	270W	34415	4000K	277-480V	EX39	N/A
LED-8242M50-HV	844006055448	1000W HID	270W	35425	5000K	277-480V	EX39	N/A

🇨🇦 LAMPS LISTED FOR CANADA ONLY 🇨🇦

PART #	UPC	REPLACES	WATTAGE	LUMENS	CCT (K)	VOLTAGE	BASE	DLC CODES
LED-8236M40C	844006023287	250W HID	95W	12900	4000K	220-347V	EX39	PHQ6BVDN
LED-8236M50C	844006023294	250W HID	95W	13000	5000K	220-347V	EX39	P82GZ2ZR
LED-8232M40C	844006023263	400W HID	140W	19200	4000K	220-347V	EX39	PB0I1UNZ
LED-8232M50C	844006023270	400W HID	140W	19500	5000K	220-347V	EX39	P1PUYKDK
LED-8242M40C	844006023324	1000W HID	270W	34415	4000K	220-347V	EX39	PR5EU0SW
LED-8242M50C	844006023621	1000W HID	270W	35425	5000K	220-347V	EX39	PW0UD0O6



LIGHT EFFICIENT DESIGN HEADQUARTERS 188 S. Northwest Highway • Cary, IL 60013
 INNOVATION & MANUFACTURING CENTER 30 Log Bridge Road, Building 200 • Middleton, MA 01949
 847.380.3540 • led-llc.com