



**Green Electrical Supply**

maximize your green<sup>®</sup>

[www.GreenElectricalSupply.com](http://www.GreenElectricalSupply.com)

### Type IC & Airtight



Project: \_\_\_\_\_

Location: \_\_\_\_\_

Trim Finish: \_\_\_\_\_ Qty: \_\_\_\_\_

Notes: \_\_\_\_\_

#### DESCRIPTION

Recessed 4" Round LED With Integral Driver In Connection Box.  
Fits Where No Other Recessed Fixture Can.

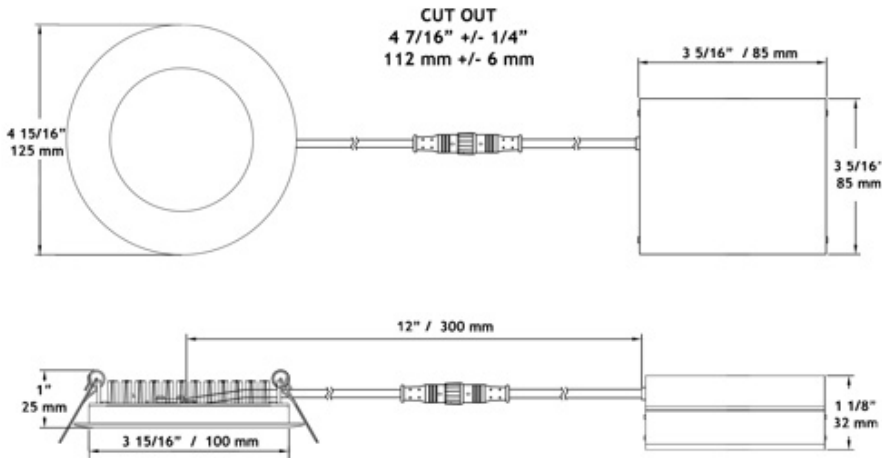
#### FEATURES & BENEFITS

- 1" Thin - High Performance 30% Brighter Than The 1/2" Model
- Type IC Rated - No Housing Required
- Fast & Easy To Install - Save On Labour
- Driver Inside Connecton Box - No Junction Box Needed

#### MOUNTING

Cut Hole In Ceiling And Snap Fixture In Opening With Attached Spring Clips.  
2" Above Ceiling Clearance Required For Driver.

SPECIFICATION	
Applications	Recessed Ceiling Mount
Energy Used	12 W
Colour Temperature	3000° K
Light Output	700 lm
Halogen Equivalent	65 W
Beam Angle	110°
CRI	84
Driver Input	120V AC or 277V-347V AC 50/60 Hz
Power Factor	0.98
Dimming	TRIAC Dimmers 10% - 100%
Approved Location	Insulated Ceiling & Damp Locations
Air Tight	Yes
Ambient Temperature	-40° F (-40° C) to +104° F (+40° C)
Projected Life	70% Light Output at 50,000 Hours
Certification	cULus, cETLus, Energy Star
Warranty	10 Year on Residential 5 Year on Commercial Applications



Driver Included. Trims: White

Brushed Nickel

Black

#### COMPLIANCE



#### Warehouses

Vancouver

Toronto

Las Vegas

Naples

Philadelphia

Dallas

## CHARACTERISTICS

**Body:** Durable, Die Cast Aluminum Alloy for Optimal Heat Dissipation.

**Paint:** Oil Based Spray Painted - Scratch Resistant And Smooth Finish.

**LEDs:** 110 Pieces Of Custom Packaged LM80 Epistar 3014. Guaranteed 98% Lumen Maintenance After 6,000 Hours. Strict Binning To Ensure Consistent Light Colour.

**Driver:** 4th Generation Lotus Designed. Field Proven Since 2011.

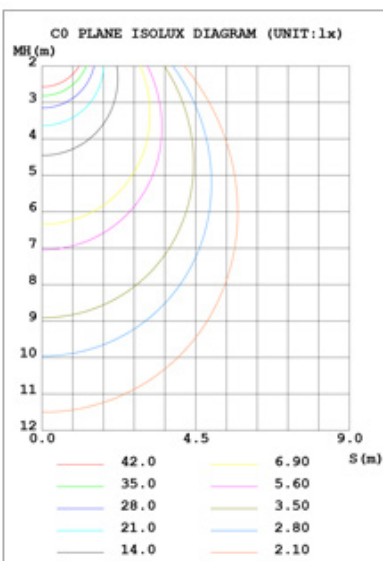
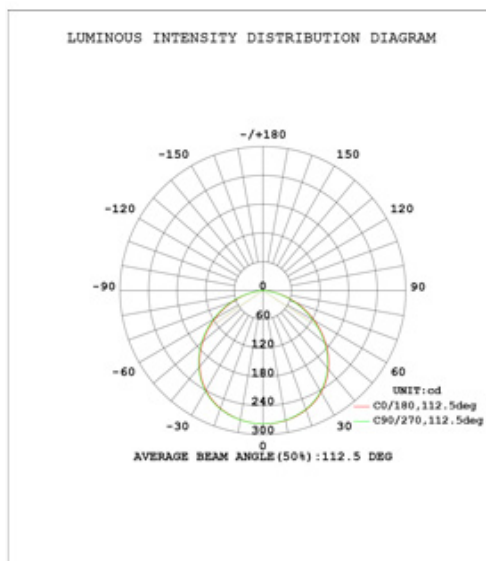
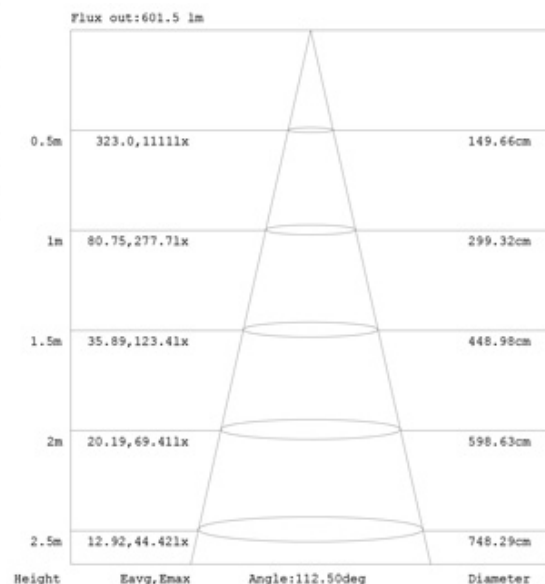
**Connection Box:** Patented Invention By Lotus LED Lights. Saves Contractors Labour In Installation On Every Job.

**Testing:** Every Single Driver Is Powered For Minimum 24 Hours Together With The Fixture That It Is Shipped With.

Every LED Is Visually Checked Before And After The PCB Is Mounted On The Fixture. **No Random Tests - We Hand Test Every Fixture & Driver.**

## PHOTOMETRIC DATA

Test: U:120.1V I:0.1055A P:12.49W PF:0.9853 Lamp Flux:793.2x1 lm		Eff: 63.52 lm/W			
MODEL	LY41RCD 30K	I <sub>max</sub> (cd)	277.7	S/MH (C0/180)	1.28
NOMINAL POWER (W)	0	LOR (%)	100.0	S/MH (C90/270)	1.29
RATED VOLTAGE (V)	120	TOTAL FLUX (lm)	793.20	η UP, DN (C0-180)	0.0, 50.2
NOMINAL FLUX (lm)	793.2	CIE CLASS	DIRECT	η UP, DN (C180-360)	0.0, 49.8
LAMPS INSIDE	1	η up (%)	0.0	CIBSE SHR NOM	1.25
TEST VOLTAGE (V)	120	η down (%)	100.0	CIBSE SHR MAX	1.35



## ORDERING GUIDE

Example: LY41RCD / 30K / WH

LY41RCD / 30K /

Trim Finish

WH : White

BK : Black

BN : Brushed Nickel

Order 277V - 347V Optional Driver Separately As cat # LLL-LD1535H



## ACCESSORIES

Sold Separately



Low Voltage Extension Cables  
6ft - cat # EXC6, 20ft - cat # EXC20  
Max 40 ft Extension Allowed



Rough-In Plates - cat # RIP4



Goof Ring White OD 5 3/4" - cat # GR4



## Warehouses

Vancouver

Toronto

Las Vegas

Naples

Philadelphia

Dallas

tel: 1-844-24-LOTUS (56887)

fax: 1-877-561-6306

www.lotusLEDlights.com