



Green Electrical Supply

maximize your green[®]

www.GreenElectricalSupply.com

Type IC & Airtight



Project: _____

Location: _____

Trim Finish: _____ Qty: _____

Notes: _____

DESCRIPTION

Recessed 6" Round LED With Integral Driver In Connection Box.
Fits Where No Other Recessed Fixture Can.

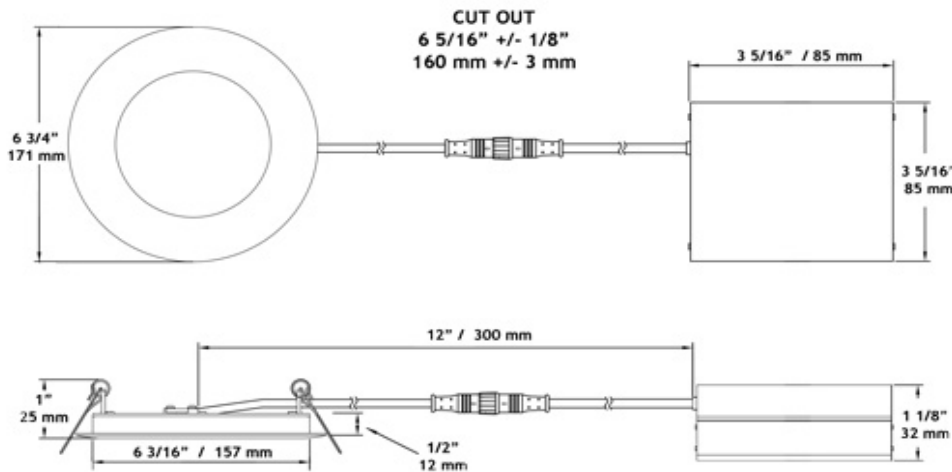
FEATURES & BENEFITS

- 1/2" Thin - Install Directly Under Joists, Maximum Layout Flexibility
- Type IC Rated - No Housing Required
- Fast & Easy To Install - Save On Labour
- Driver Inside Connecton Box - No Junction Box Needed

MOUNTING

Cut Hole In Ceiling And Snap Fixture In Opening With Attached Spring Clips.
1 1/2" Above Ceiling Clearance Required For Driver.

| SPECIFICATION | |
|---------------------|---|
| Applications | Recessed Ceiling Mount |
| Energy Used | 12 W |
| Colour Temperature | 4100° K |
| Light Output | 800 lm |
| Halogen Equivalent | 65 W |
| Beam Angle | 110° |
| CRI | 82 |
| Driver Input | 120V AC or 277V-347V AC 50/60 Hz |
| Power Factor | 0.98 |
| Dimming | TRIAC Dimmers 10% - 100% |
| Approved Location | Insulated Ceiling & Damp Locations |
| Air Tight | Yes |
| Ambient Temperature | -40° F (-40° C) to +104° F (+40° C) |
| Projected Life | 70% Light Output at 50,000 Hours |
| Certification | cULus, cETLus, Energy Star |
| Warranty | 10 Year on Residential 5 Year on Commercial Applications |



Driver Included. Trims: White

Brushed Nickel

Black

COMPLIANCE



Warehouses

Vancouver

Toronto

Las Vegas

Naples

Philadelphia

Dallas

tel: 1-844-24-LOTUS (56887)

fax: 1-877-561-6306

www.lotusLEDlights.com

CHARACTERISTICS

Body: Durable, Die Cast Aluminum Alloy for Optimal Heat Dissipation.

Paint: Oil Based Spray Painted - Scratch Resistant And Smooth Finish.

LEDs: 99 Pieces Of Custom Packaged LM80 Epistar 3014. Guaranteed 98% Lumen Maintenance After 6,000 Hours. Strict Binning To Ensure Consistent Light Colour.

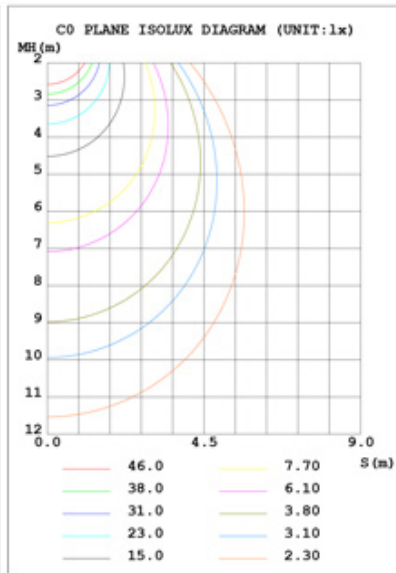
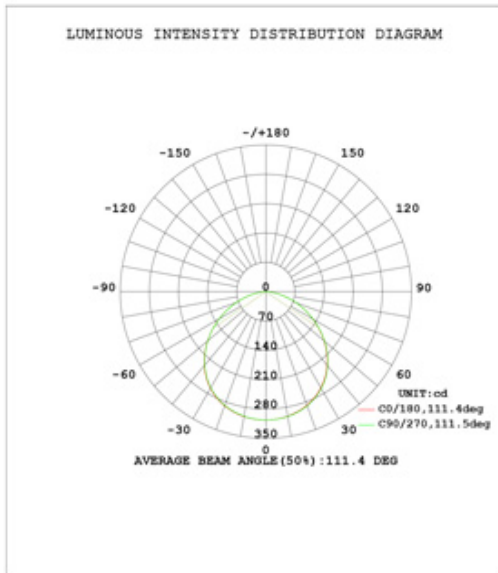
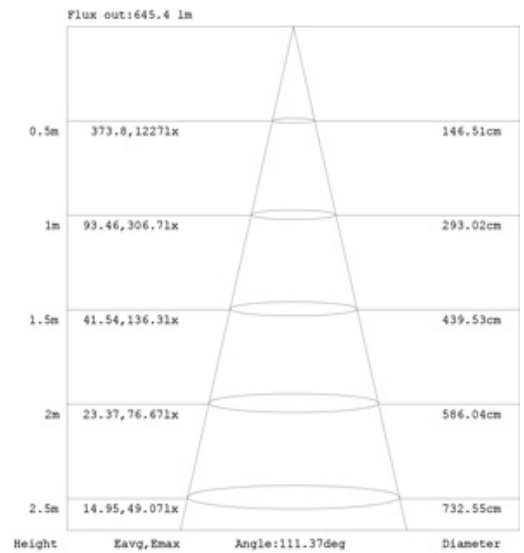
Driver: 4th Generation Lotus Designed. Field Proven Since 2011.

Connection Box: Patented Invention By Lotus LED Lights. Saves Contractors Labour In Installation On Every Job.

Testing: Every Single Driver Is Powered For Minimum 24 Hours Together With The Fixture That It Is Shipped With. Every LED Is Visually Checked Before And After The PCB Is Mounted On The Fixture. **No Random Tests - We Hand Test Every Fixture & Driver.**

PHOTOMETRIC DATA

| | | | | | |
|---|------------|-----------------------|--------|---------------------|----------|
| Test:U:120.0V I:0.1049A P:12.41W PF:0.9857 Lamp Flux:865.458x1 lm | | EFF: 69.74 lm/W | | | |
| MODEL | LY6RCS 41K | I _{max} (cd) | 306.7 | S/MH (C0/180) | 1.29 |
| NOMINAL POWER (W) | 0 | LOR (%) | 100.0 | S/MH (C90/270) | 1.28 |
| RATED VOLTAGE (V) | 120 | TOTAL FLUX (lm) | 865.46 | η UP, DN (C0-180) | 0.0,50.2 |
| NOMINAL FLUX (lm) | 865.458 | CIE CLASS | DIRECT | η UP, DN (C180-360) | 0.0,49.8 |
| LAMPS INSIDE | 1 | η up (%) | 0.0 | CIBSE SHR NOM | 1.25 |
| TEST VOLTAGE (V) | 120 | η down (%) | 100.0 | CIBSE SHR MAX | 1.35 |



ORDERING GUIDE

Example: LY6RCS / 41K / WH

LY6RCS / 41K / Trim Finish
 WH : White
 BK : Black
 BN : Brushed Nickel

Order 277V - 347V Optional Driver Separately As cat # LLL-LD1535H



ACCESSORIES

Sold Separately



Low Voltage Extension Cables
 6ft - cat # EXC6, 20ft - cat # EXC20
 Max 40 ft Extension Allowed



Rough-In Plates - cat # RIP6



Goof Ring White OD 7 5/8" - cat # GR6



Surface Mount Kit White - cat # SMK6



Warehouses

Vancouver Toronto Las Vegas Naples Philadelphia Dallas

tel: 1-844-24-LOTUS (56887)

fax: 1-877-561-6306

www.lotusLEDlights.com