



**Green Electrical Supply**

maximize your green<sup>®</sup>

[www.GreenElectricalSupply.com](http://www.GreenElectricalSupply.com)

# M-SERIES

## MAGNETIC DIMMABLE LED DRIVER



P/N: M150L12DC-AR

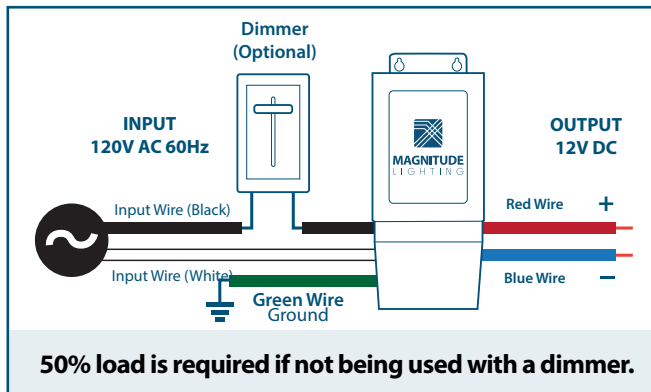


Magnitude's M150L12DC-AR is the most compact LED driver on the market with a magnetic transformer core. It is equipped with two auto-reset breakers, one on the input and one on the output, which protect both the load and driver. The driver is encased in a coated metal box that includes 4 knock-outs, to enable easy installation that complies with electrical code requirements.

### QUICK SPECS

Input Voltage	Max Output Power	Output Voltage	Output Current	Efficiency @ Max Load	Power Factor @ Max. Load	Envir. Protection Rating	Weight
120VAC	150W	12VDC	13.3 A	> 80%	> 0.93	NEMA 3R	87oz

### WIRING DIAGRAM

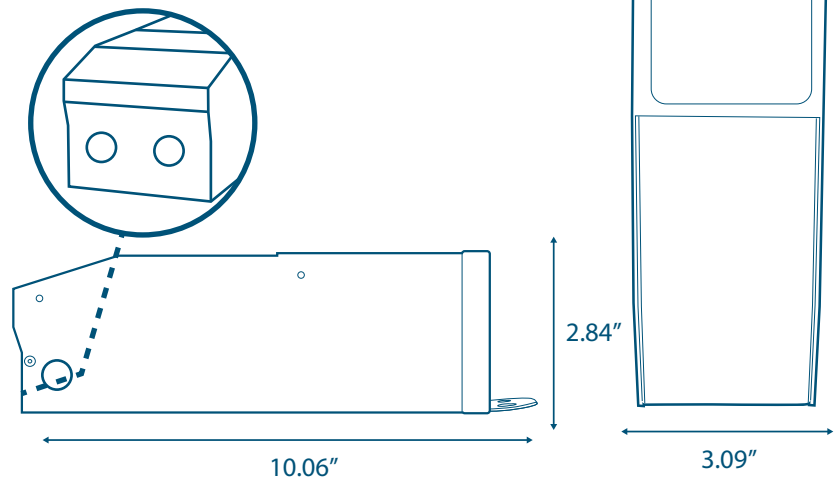


### FEATURES

- Dimmable with any standard MLV/Incandescent TRIAC- (Leading edge) dimmer switch
- Dual protection - primary and secondary auto-reset circuit breakers
- Nema 3R - Outdoor Use
- Four knock-outs
- ETL Listed
- Certified to CSA Standard

### ENCLOSURE DETAILS In. (mm)

Length	10.06 (255.5)
Width	3.09 (78.5)
Height	2.84 (72.1)



### SPECIFICATIONS

#### Input

Input Voltage	120VAC
Input Current @ Max Load	1.95 A
Power Factor	> 0.93
Efficiency	> 80%

#### Output

Max Load	150W
Output Voltage	12.8 VDC @ Full Load
Output Current @ Max Load	13.3 A
Open Circuit Output Voltage	13.3V DC
Coil Former	Double Section Bobbin

#### Environmental

Operating Temperature	-30°C - 45°C (-22°F - 113°F)
Min Installation space between drivers	5" Inch
Thermal Class	B130°C

#### Protections

Circuit Breaker	Primary and secondary auto-reset
-----------------	----------------------------------

#### Mechanical & Housing

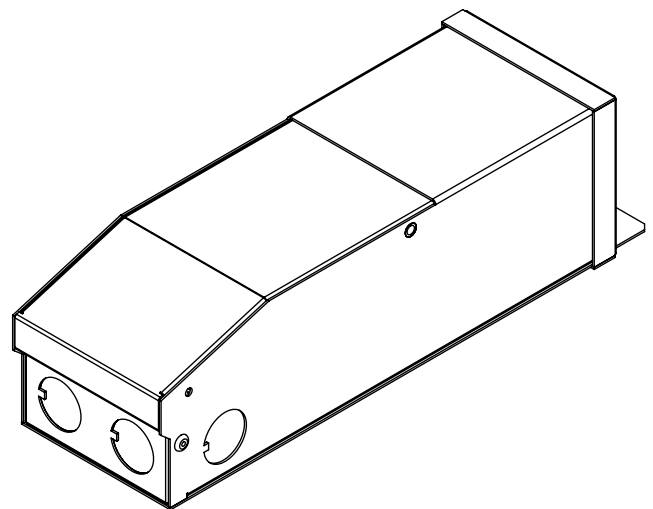
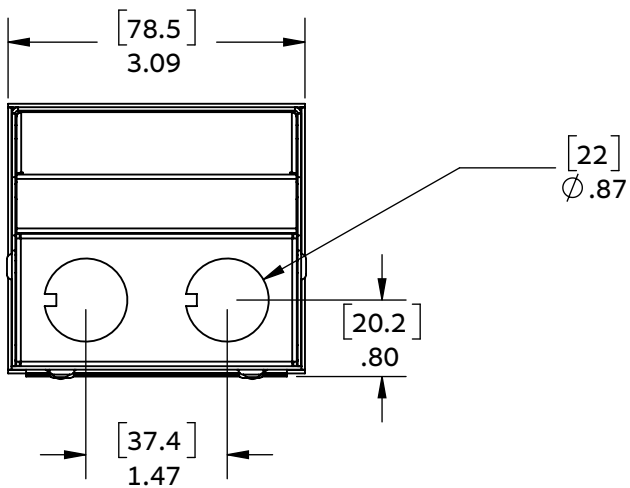
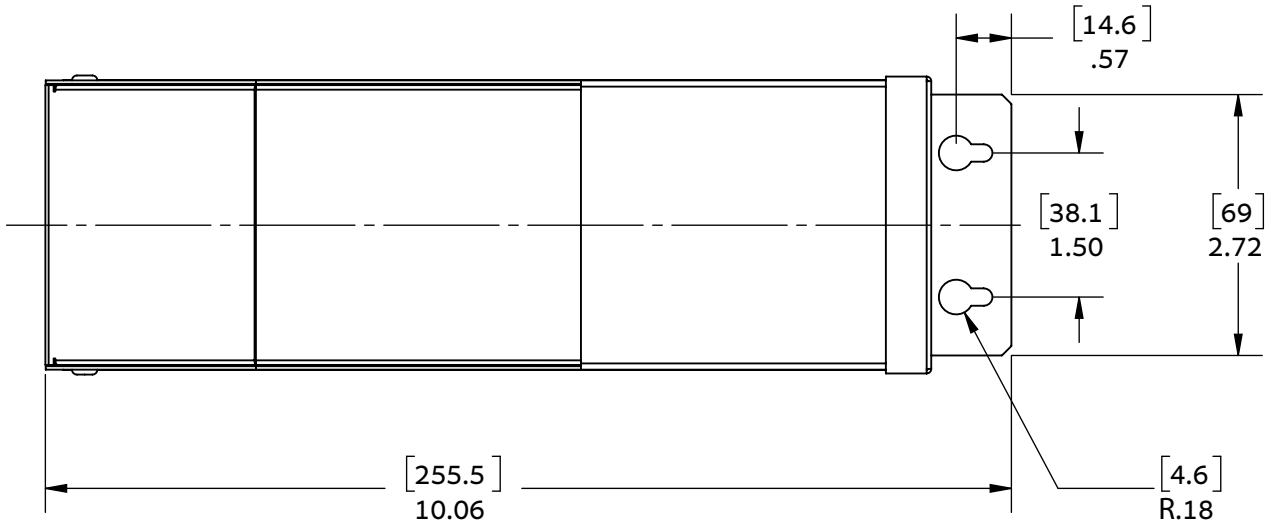
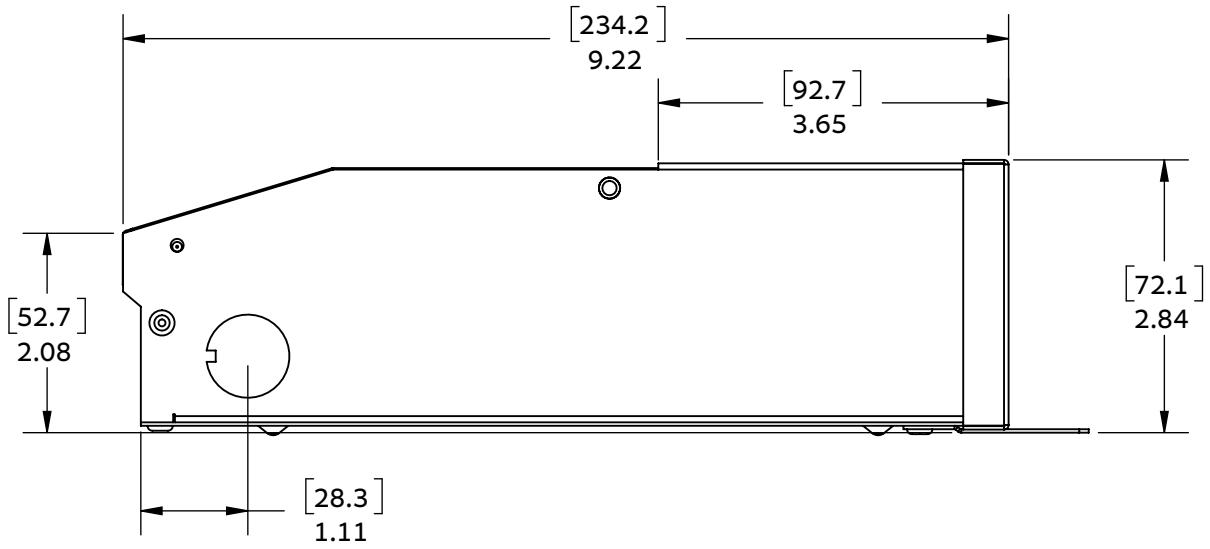
Leads Primary	PVC 600V #18
Leads Secondary	PVC 300V #12
Length	10.06" (255.5mm)
Width	3.09" (78.5mm)
Height	2.84" (72.1mm)
Weight	87oz
Housing Material	Coated metal
Housing Color	Black
Junction Box	Yes
Mounting	Two Hole flange mounting

#### Approval Markings

Certificates / Approval Signs	UL 8750
-------------------------------	---------

# M-SERIES

## MAGNETIC DIMMABLE LED DRIVER



# M-SERIES MAGNETIC DIMMABLE LED DRIVER

