

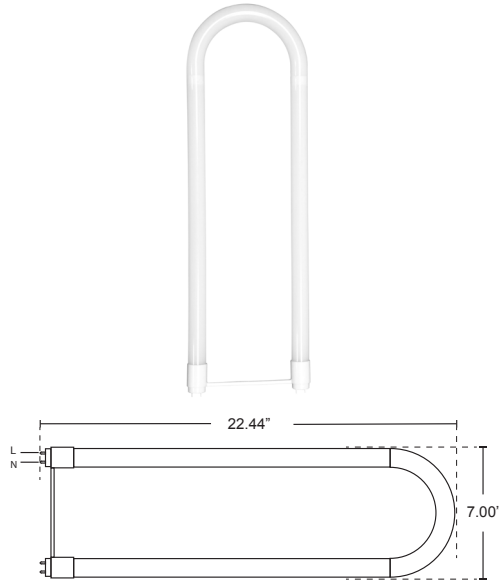


Green Electrical Supply

maximize your green[®]

www.GreenElectricalSupply.com

LED T8 U-BEND
BYPASS PLASTIC SERIES
UL TYPE-B



FEATURES:

- Power: 15.5W, 32W Fluorescent replacement
- Lumens: ≥1,800
- Efficacy: ≥116
- CRI: ≥80
- Input Voltage: 120-277V
- Color Temperature: 3500K, 4000K and 5000K
- Beam Angle: 240°
- Color Rendering Index (CRI): ≥85
- Non dimmable
- Base: Two pin (G13)
- THD <20%
- Power Factor: ≥0.90
- Mercury and Lead-free, UV and IR free
- Instant on
- Shatterproof polycarbonate frost lens construction
- Full illumination around bend, no dark spot
- Operating Temperature: -4°-113°F
- Suitable for use in damp locations
- Suitable for use in totally enclosed recessed fixture
- Easy and fast installation
- Five year limited warranty
- Rated Lifetime: 50,000 hours

PRODUCT DESCRIPTION:

The MaxLite LED U-Bend Ballast Bypass Lamp is an energy-saving, long-lasting replacement for fluorescent tubes in T8 U-bend troffers, including fully enclosed luminaires. Quick and simple to install, the lamp works in bi-pin socketed fixtures once the ballast is disconnected.

The lamp is designed with an ultra-compact light engine that distributes 1,800 lumens of high quality light using an extra wide, 320-degree beam angle. An integral driver is stored within the lamp's cap to optimize thermal performance and eliminate dark spots, producing bright, even illumination that runs continuously from end to end of the U-shaped tube. The lamp is built with a shatterproof, polycarbonate lens that enhances safety in healthcare and food service applications.

APPLICATIONS:

- Commercial offices
- Schools
- Restaurants
- Retailers
- Hotels

MODEL SELECTION (Full list of order codes on pg. 2)			Typical order example: U15.5T8SE250		
U	15.5	T8	SE	2	
FAMILY	WATTAGE	LAMP TYPE	OPERATION	LENGTH	CCT
U= LED U-Bend T8	15.5= 15.5W	T8= T8 tube	SE= Bypass	2= 2 FT	35= 3500K 40= 4000K 50= 5000K

NOTES:

1. Do not use with dimmers

ACCESSORY (SOLD SEPARATELY):

ORDER CODE	ITEM NUMBER	DESCRIPTION	PRODUCT IMAGE
14098795	G13UNS	G13 U-Bend bypass non-shunted lamp holder	

SPECIFICATIONS:

		U15.5T8SE235	U15.5T8SE240	U15.5T8SE250
ITEM	SPECIFICATION	DETAILS		
GENERAL PERFORMANCE	Power (Bare Lamp)	15.5W		
	Lumens Delivered	1,800	1,850	1,900
	CRI	80		
	Beam Angle	240°		
	Color Temperature (CCT)	3500K	4000K	5000K
	Lumen Maintenance (L70)	50,000 hours		
ELECTRICAL	Power Factor	≥0.90		
	Input Voltage	120-277V		
PHYSICAL	Operating Temperature	-4°F to 113°F		
QUALIFICATION	Qualification	DLC 4.2 Standard, cULus Classified, LM80		
	Material Usage	RoHS compliant, no mercury		
	Environment	Dry & Damp		
	Warranty	5 Years		

ORDERING:

ORDER CODE	ITEM NUMBER	WATTAGE	LUMENS	EFFICACY (lm/W)	CCT	LENGTH	DIMENSIONS (MOL" x W")	QUANTITY IN CASE
1409561	U15.5T8SE235	15.5W	1800lm	116	3500K	2FT	22.44" x 7.00"	12pcs
1409562	U15.5T8SE240		1850lm	119	4000K			
1409563	U15.5T8SE250		1900lm	123	5000K			

Lighting layouts and spacing criteria available upon request