



**Green Electrical Supply**

maximize your green<sup>®</sup>

[www.GreenElectricalSupply.com](http://www.GreenElectricalSupply.com)

# PRODUCT INFORMATION

## LED Small wall pack with photocell

### Features

- Maintenance free—no bulb to change
- Consistent, even light distribution
- Black, Bronze or White finish
- Die cast aluminum body
- Rugged, impact-resistant polycarbonate frosted lens
- Built-in photocell with cover
- Wall-mount—recessed junction box required
- 20 Watts
- 100-150 Watt MH equivalent
- 100-277V
- 4000K and 5000K options
- 80 CRI
- 100° Beam angle
- 2KV Surge protection
- Operating temperature -20°C to 45°C
- IP65
- Suitable for wet locations
- 50,000 Hour life
- 5 Year warranty



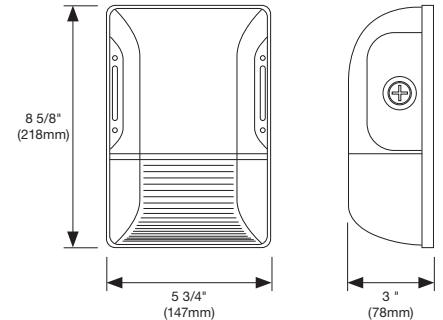
65-265, 65-266



65-267, 65-268



65-269, 65-270



## LED Small wall pack with photocell



Item Number	Description	Finish	W	V	CCT	Lm	Life/Hrs.	CRI	MH Equiv.	UPC	Pk
65-265	LED SMALL WALL PACK W/PHOTOCELL	BLACK/20W/4000K	20	100-277V	4000K	2669	50000	80	100-150W	045923680717	10
65-266	LED SMALL WALL PACK W/PHOTOCELL	BLACK/20W/5000K	20	100-277V	5000K	2761	50000	80	100-150W	045923680724	10
65-267	LED SMALL WALL PACK W/PHOTOCELL	BRONZE/20W/4000K	20	100-277V	4000K	2669	50000	80	100-150W	045923680731	10
65-268	LED SMALL WALL PACK W/PHOTOCELL	BRONZE/20W/5000K	20	100-277V	5000K	2761	50000	80	100-150W	045923680748	10
65-269	LED SMALL WALL PACK W/PHOTOCELL	WHITE/20W/4000K	20	100-277V	4000K	2669	50000	80	100-150W	045923680755	10
65-270	LED SMALL WALL PACK W/PHOTOCELL	WHITE/20W/5000K	20	100-277V	5000K	2761	50000	80	100-150W	045923680762	10