



Green Electrical Supply

maximize your green[®]

www.GreenElectricalSupply.com

LED UFO High Bay Fixture

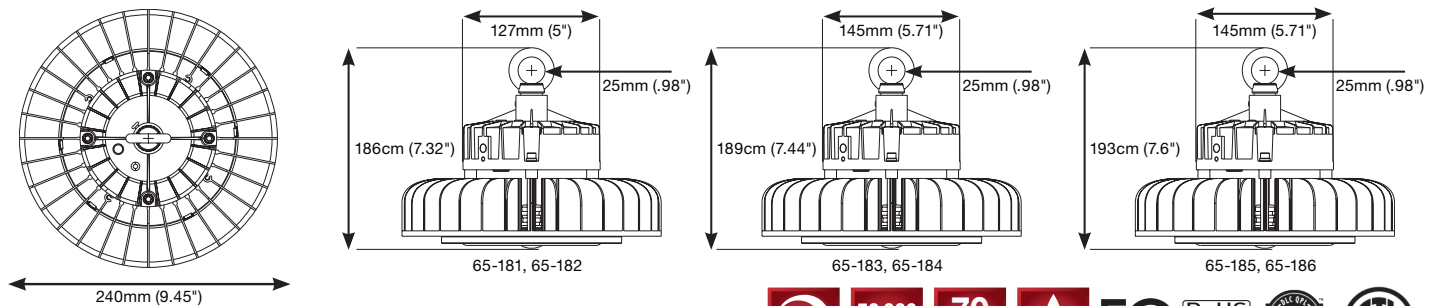
PRODUCT INFORMATION

Applications

- Industrial/commercial facilities
- Warehouses
- Gymnasiums
- Airports/travel venues
- Retail

Features

- Black finish
- Rugged construction
- Die cast aluminum alloy body / stainless steel screws
- Impact resistant diffuser
- 4.9' Whip
- 120° Beam spread
- UV powder coated finish
- Dimmable 1-10V
- 100W, 150W Operating temperature -30°C to 50°C
- 200W Operating temperature -30°C to 40°C
- Suitable for wet location
- IP65
- LED Lifetime: >50,000 hrs (Ta = 30°C @ L70)
- DLC Premium listed



LED UFO High Bay Fixture



Item Number	Lamp Description	W	V	HID Equiv.	Finish	CCT	Lm	CRI	LifeHrs.	UPC
65-181	LED UFO High Bay	100	100-277V	200-250W	Black	4000K	13000	70+	50,000	45923738104
65-182	LED UFO High Bay	100	100-277V	200-250W	Black	5000K	13000	70+	50,000	45923738111
65-183	LED UFO High Bay	150	100-277V	300-400W	Black	4000K	19500	70+	50,000	45923738128
65-184	LED UFO High Bay	150	100-277V	300-400W	Black	5000K	19500	70+	50,000	45923738135
65-185	LED UFO High Bay	200	100-277V	600W	Black	4000K	26000	70+	50,000	45923738142
65-186	LED UFO High Bay	200	100-277V	600W	Black	5000K	26000	70+	50,000	45923738159

Accessories

65-187	Optional Add On Anti-Glare Reflector				Clear Prismatic					045923680137
65-188	Optional 60° Replacement Optic				Impact resistant diffuser					045923680144
65-189	Optional 90° Replacement Optic				Impact resistant diffuser					045923680151