



Green Electrical Supply

maximize your green[®]

www.GreenElectricalSupply.com



The MPF Series LED floodlights replace up to 250W pulse start metal halide floodlights for building facades, general area, parking lots, security lighting and other applications while consuming up to 75% less energy and operating for 50,000 hours (L70). The MPF series floodlights are designed for typical mounting heights of up to 30 feet.

Project _____
 Catalog Number _____
 Type _____
 Date _____

- Traditional design
- Up to 75% energy savings vs. traditional HID sources
- 50,000 hour operating life (L70)

- 5000K (standard) CCT
- >80 CRI
- Instant on; zero restrike

HOUSING / LENS / OPTICS Die-cast aluminum housing and lens frame in bronze powder coat paint for long lasting appearance. Thermally efficient housing with integrated heat sink fins for cooler operation and maximum LED operating life. Clear tempered glass lens. Distribution is a NEMA 7H x 7V. Weatherproof silicone gasketing seals front lens and frame to housing to keep out contaminants. Consult factory for other finish colors.

mounted in direct contact with aluminum housing for cooler operation and longer life. Drive current is 1400mA for 50W fixture and 2800mA for 70W fixture. Suitable for use in operating temperatures of -31°F (-35°C) to 104°F (40°C).

LEDS Available in two light levels; 5400 delivered lumens at 50W and 8800 delivered lumens at 70W 5000K CCT; >80CRI. LEDs are LM-80 tested. LED operating life is 50,000 hours (L70). Light engine consists of a 100 mid-power LEDs (50W) or 248 midpower LEDs (70W) mounted on aluminum core printed circuit board.

ACCESS / WIRING Includes 1/2" NPS adjustable aluminum fitter that attaches to a standard junction box cover.

MOUNTING Can be ground mounted, wall mounted, or on a pole using MA6TA tenon adapter, up to 20 feet (50W fixture) or up to 30 feet (70W fixture).

LISTINGS C-UL-US Listed wet location. DesignLights™ Consortium Qualified.

WARRANTY 5 year limited warranty.

ELECTRICAL Universal 120V-277V operation. 0-10V dimming standard. Power factor is >0.9. Power supply is



MPF70



MPF50

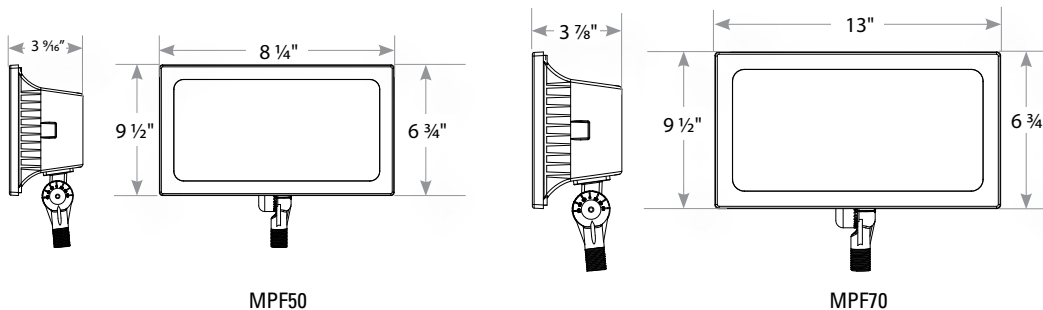


MPF LED Floodlights Configuration

SERIES	INPUT POWER*	COLOR TEMPERATURE	VOLTAGE	ACCESSORY
MPF	50 = 50W 70 = 70W	50 = 5000K CCT	U1 = Universal 120-277V	MA6TA = 1/2" Tenon adaptor for 2-3/8" tenon

* Nominal. See performance data for actual input power

Dimensions NOT TO SCALE



Accessory



MA6TA
1/2" Tenon Adaptor for
2 3/8" tenon

Performance Data

Model	Input Power	Efficacy (lm/W)	Light Output*	Mounting Ht.**	Equivalent HID**	Operating Temperature
MPF5050U1	49W	111	5421 lm	Up to 20'	Up to 175W PSMH	-31°F (-35°C) to 104°F (40°C)
MPF7050U1	72W	123	8833 lm	Up to 30'	Up to 250W PSMH	-31°F (-35°C) to 104°F (40°C)

* Delivered lumens

** Consult a lighting engineer to meet specific requirements

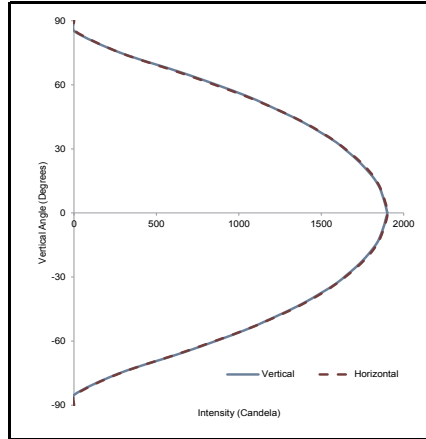
Photometric Data

Luminaire Data - MPF5050U1

Cast aluminum housing, white reflector, clear tempered glass lens

Catalog Number	MPF5050U1
Lab Test#	UL975080
(#) Power Supply	(1) Constant Current 1400mA
# LED	100 White LEDs
Color Temperature	5000K CCT
Input Watts	48.87
Delivered Lumens	5421
Operating Life	50,000 hrs. (L70)
Fixture Efficacy	111 lm/W

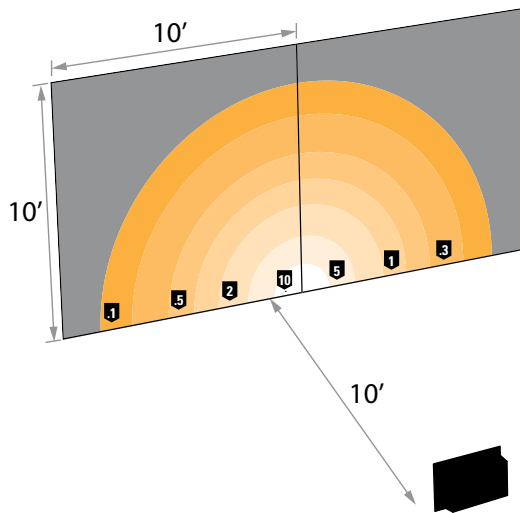
Candela Plot



Summary of Results

Total Lumen Output	5421
Luminaire Efficacy	110.9 lm/W
IESNA Type	7H x 7V
Maximum Candela	1900.7
Max CP Horiz Angle	-1 H
Max CP Vert Angle	0 V
Field Angle	156.7 H x 156.4 V
Field Lumens	5376.1
Beam Angle	114.4 H x 114.7 V
Beam Lumens	4289.6
Spill Lumens	44.5

Average Footcandle Chart



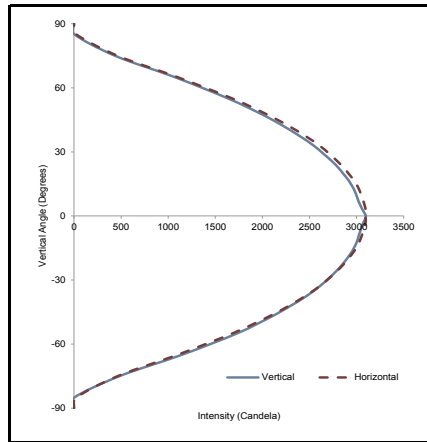
Photometric Data

Luminaire Data - MPF7050U1

Cast aluminum housing, white reflector, clear tempered glass lens

Catalog Number	MPF7050U1
Lab Test#	UL975081
(#) Power Supply	(1) Constant Current 2800mA
# LED	248 White LEDs
Color Temperature	5000K CCT
Input Watts	71.96
Delivered Lumens	8833
Operating Life	50,000 hrs. (L70)
Fixture Efficacy	123 lm/W

Candela Plot



Summary of Results	
Total Lumen Output	8833
Luminaire Efficacy	122.8 lm/W
IESNA Type	7H x 7V
Maximum Candela	3096.2
Max CP Horiz Angle	-1 H
Max CP Vert Angle	0 V
Field Angle	157.0 H x 156.4 V
Field Lumens	8794.4
Beam Angle	114.5 H x 114.7 V
Beam Lumens	6997.3
Spill Lumens	83.9

Average Footcandle Chart

