



Green Electrical Supply

maximize your green[®]

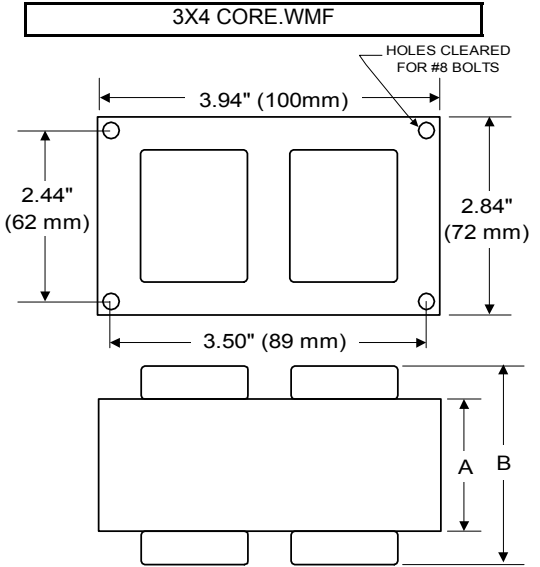
www.GreenElectricalSupply.com



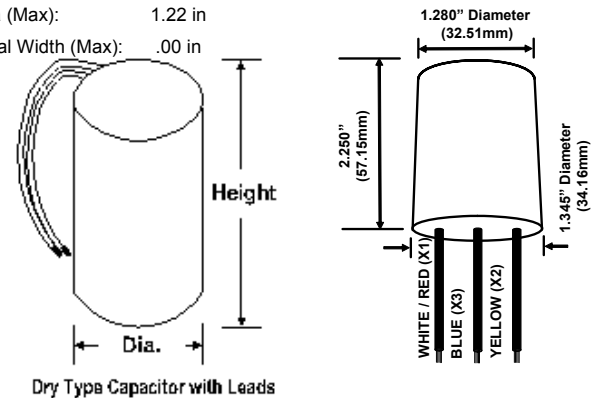
BALLAST SPECIFICATION

50W M110
Pulse Start Metal Halide
V90D5731
60 Hz HX C&C

Input Volts	120	208	240	277
Line Current (Amps)				
Operating	0.60	0.35	0.30	0.25
Open Circuit	1.20	0.65	0.60	0.50
Starting	0.60	0.35	0.30	0.25
Recommended Fuse (Amps)	3	2	2	2
Regulation				
Line Volts	±5%	±5%	±5%	±5%
Lamp Watts	±10%	±10%	±10%	±10%
Temperature Ratings				
Insulation Class	180 (H)	180 (H)	180 (H)	180 (H)
Coil Temperature Code	A	A	A	A
Benchtop Coil Rise	66.6	64.7	64.3	70.7
Power Factor (%) HPF	90	90	90	90
Input Watts	68 W	68 W	68 W	68 W
Efficiency	74.0%	74.0%	74.0%	74.0%
NOM. Open Circuit Voltage	265	265	265	265
Input Voltage At Lamp Dropout	85	150	170	195
Min Ambient Starting Temp	-20°F/-30°C*	-20°F/-30°C*	-20°F/-30°C*	-20°F/-30°C*
60 HZ TEST PROCEDURES				
High Potential Test (Volts)				
1 Minute	2,000 V	2,000 V	2,000 V	2,000 V
1 Second	2,500 V	2,500 V	2,500 V	2,500 V
Open Circuit Voltage Test (V)	235 - 295	235 - 295	235 - 295	235 - 295
Short Circuit Current Test (A)				
Secondary Current				
Min	.65	.65	.65	.65
Max	.85	.85	.85	.85
Input Current				
Min	0.40	0.20	0.15	0.15
Max	0.75	0.40	0.35	0.35
CORE and COIL Specifications				
Dimension (A)	1.05 in	1.05 in	1.05 in	1.05 in
Dimension (B)	2.45 in	2.45 in	2.45 in	2.45 in
Weight	3.5 lb's	3.5 lb's	3.5 lb's	3.5 lb's
Lead Lengths	12 "	12 "	12 "	12 "
Capacitor Requirement				
Microfarads	6.0 uf	6.0 uf	6.0 uf	6.0 uf
Volts (Min)	280 V	280 V	280 V	280 V



Capacitor:	ACG033	Ignitor:	BVS-032
Microfarads:	6.0 uf	Case Temp (Max):	105 °C
Volts (Max):	330 V	BTL Distance (Max)	2 ft
Case Temp (Max)	100 °C		
Height (Max):	2.76 in		
Dia (Max):	1.22 in		
Oval Width (Max):	.00 in		



Ordering Information Add Suffix for options
 C - With Dry Capacitor
 CB - With Dry Capacitor and Welded Bracket
 B - With Welded Bracket, no Capacitor
 K - Prewired, with Dry Capacitor and Bracket Kit

* -40°F/-40°C Min Ambient Starting Temp with Venture Lamp

Data is based upon tests performed by Venture Lighting in a controlled environment and is representative of relative performance. Actual performance can vary depending on operating conditions. Specifications are subject to change without notice.

9/11/2013 **Production** Coil material: primary Cu and secondary Al



RoHS

